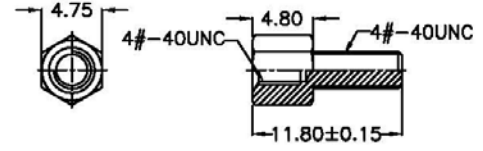
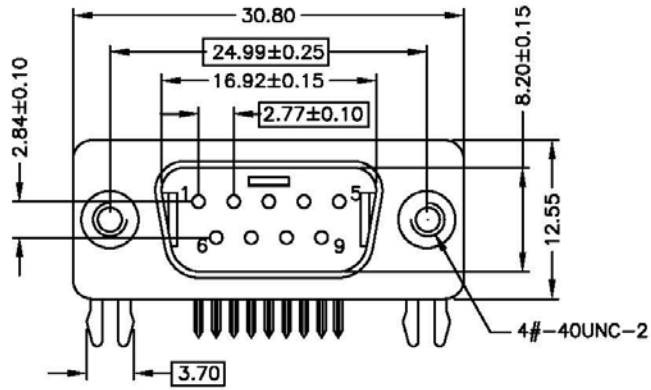
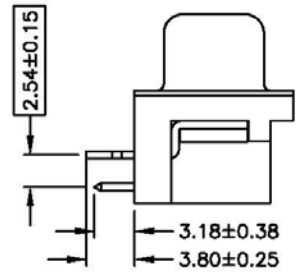
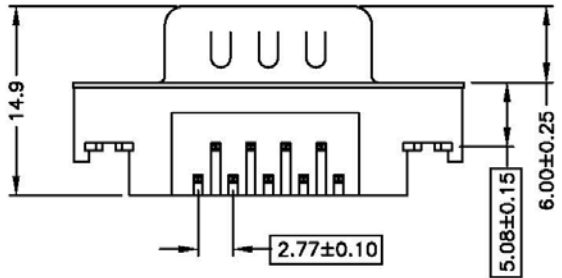


| REV. | NOTES | DATE |
|------|----------|------------|
| A | RELEASED | 2012/03/23 |

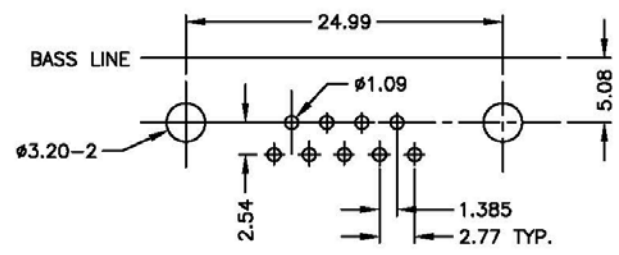


- NOTES:
- MATERIAL
 - 1.1 Insulator:PBT+30%Glass Fiber
 - 1.2 Contact:Brass
 - 1.3 Contact Plated:Gold/TIN PLATED
 - 1.4 Shell:Steel,Nickel Plated
 - 1.5 Screw:Brass, Nickel Plated
 - SPECIFICATION
 - 2.1 Current Rate:1 Amps
 - 2.2 Insulator Resistance:1000M Min. at 500V DC
 - 2.3 Dielectric Strength:Test between adjacent contacts at 500V AC(rms) and 60 seconds hold time
 - 2.4 Operation Temperature:-55C to+105C



備注：重點尺寸標示 X X

| PART NO. | PLATING | COLOR |
|----------------|-----------------|-------------|
| A02+0914-2550 | GOLD/TIN PLATED | GREEN |
| A02+0914-2050 | GOLD/TIN PLATED | BLACK |
| A02+0914-25501 | GOLD/TIN PLATED | GREEN(323U) |



P.C.B. LAYOUT

DIMENSIONS TOLERANCE

METRIC

.0= ±.30
.00= ±.20
.000= ±.XXX
.0000= ±
ANG.= ±Z'

| | |
|------------|----------|
| 單位(UNITS) | mm |
| 數量(QTY) | N/A |
| 材料(MTL) | SEE NOTE |
| 處理(FINISH) | SEE NOTE |
| 繪圖(DRAW) | |
| 設計(DE'N) | |
| 審核(CH'K) | |
| 核准(APP'D) | |

鈺創科技有限公司
TRONTEK TECHNOLOGY CO.,LTD.

圖名(NAME)
DR9公辦附全金黑 5.08 RoHS

| | |
|--------------------|------------------|
| 料號(PART NUMBER) | A02+0914-2550 |
| 圖號(DRAW NUMBER) | RA0209142550 |
| 圖檔(FILE NAME .DWG) | E:GCT/A/02/091/5 |

| | | | | | | | |
|-----------|-----|----------|----|-----------|---|----------|---|
| 比例(SCALE) | 1/1 | 圖紙(SIZE) | A4 | 頁次(SHEET) | 1 | 版次(REV.) | A |
|-----------|-----|----------|----|-----------|---|----------|---|