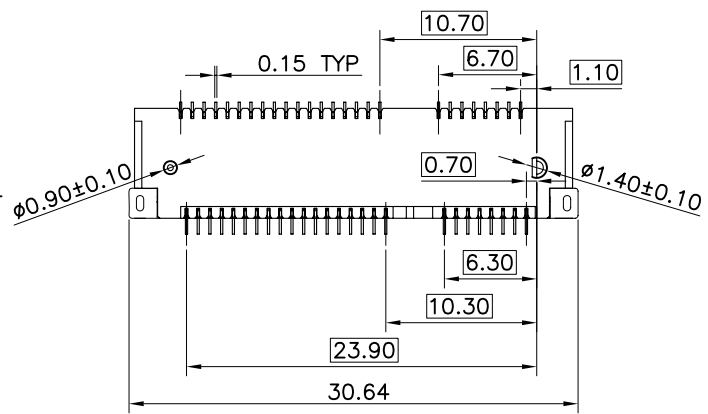


HOW TO MATE AND UNMATE
 MATE: ① → ③
 UNMATE: ④ → ⑤

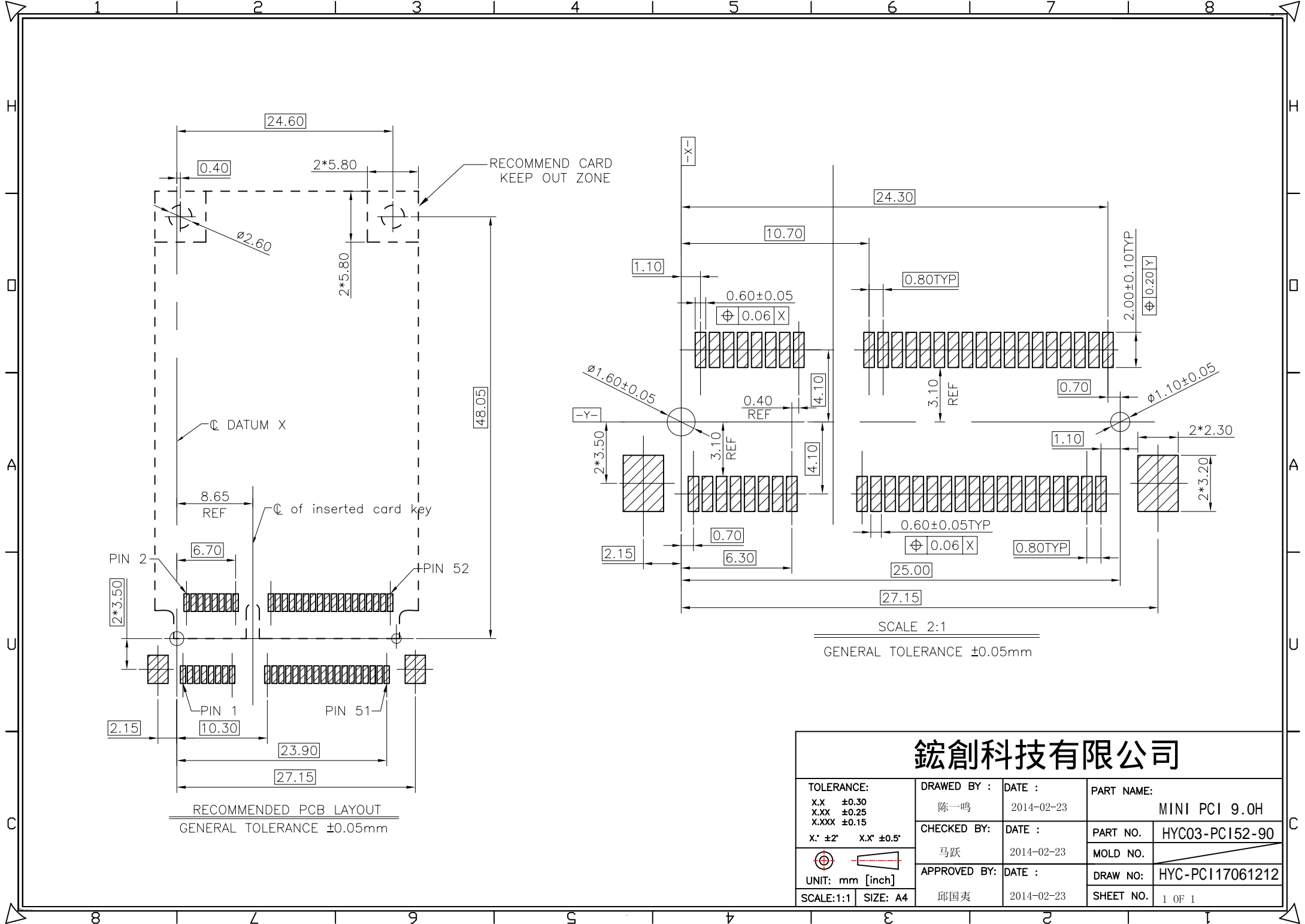


TABLE

9		BLACK,Au 15u",HF
8		BLACK,Au 5u",HF
7		WHITE,Au 10u",HF
6		BLACK,Au 10u",HF
5		WHITE,Au1u"HF
4		BLACK,Au 30u",HF
3		BLACK,Au1u",MIN HF
2		BLACK,Au 30u"
1		BLACK,Au1u" MIN
NO.	PART NO.	DESCRIPTION

鋅創科技有限公司

TOLERANCE: X.X ±0.30 X.XX ±0.25 X.XXX ±0.15 X' ±2' X.X' ±0.5'	DRAWN BY : 陈一鸣	DATE : 2014-02-23	PART NAME: MINI PCI 9.0H
	CHECKED BY: 马跃	DATE : 2014-02-23	PART NO. HYC03-PC152-90
UNIT: mm [inch] SCALE:1:1 SIZE: A4	APPROVED BY: 邱国夷	DATE : 2014-02-23	MOLD NO.
			DRAW NO: HYC-PC117061212
			SHEET NO. 1 OF 1

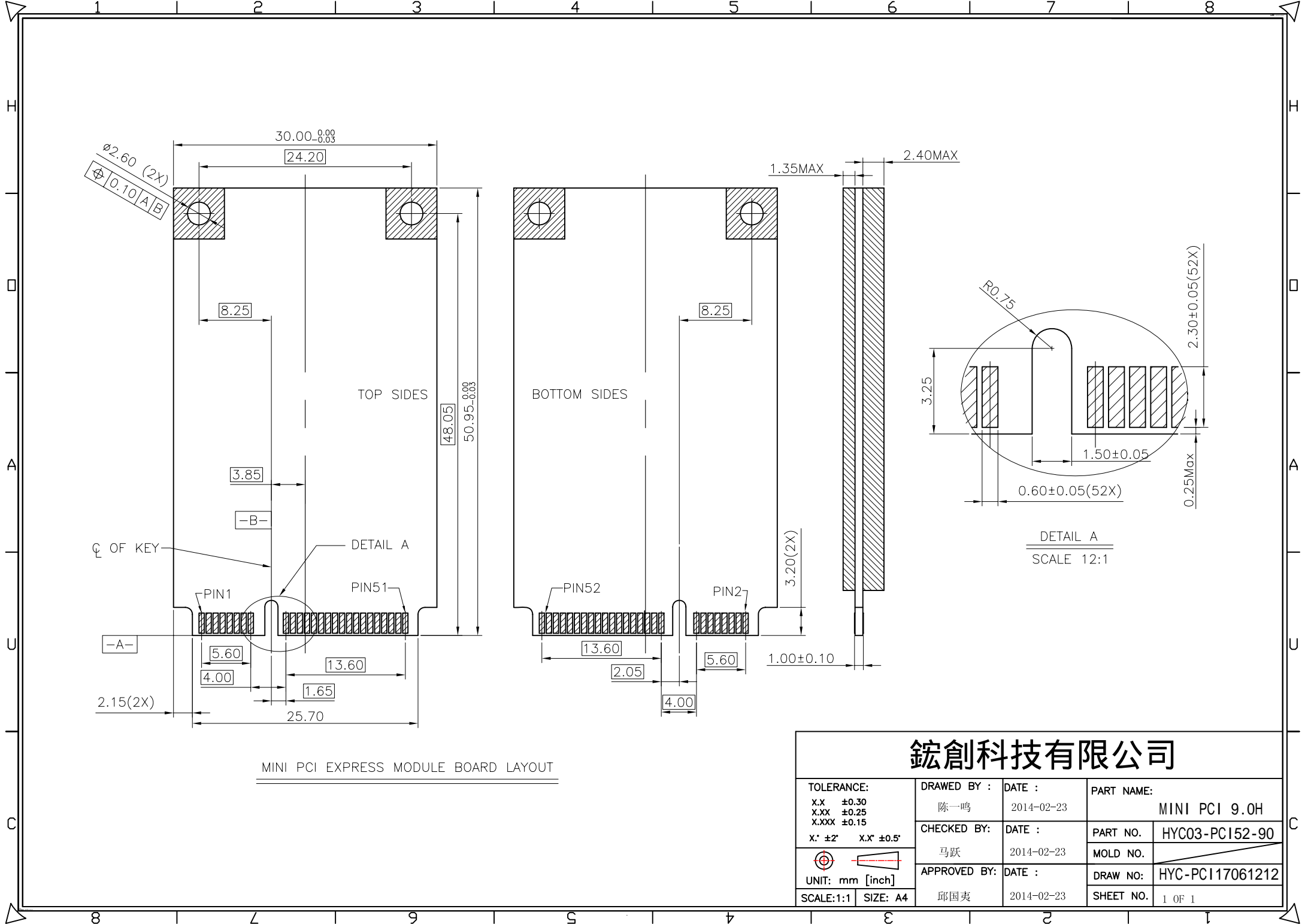


RECOMMENDED PCB LAYOUT
GENERAL TOLERANCE ±0.05mm

SCALE 2:1
GENERAL TOLERANCE ±0.05mm


鋁創科技有限公司

TOLERANCE: X.X ±0.30 X.XX ±0.25 X.XXX ±0.15 X' ±2' X.X' ±0.5'	DRAWN BY : 陈一鸣	DATE : 2014-02-23	PART NAME: MINI PCI 9.0H
	CHECKED BY: 马跃	DATE : 2014-02-23	PART NO. HYC03-PC152-90
UNIT: mm [inch]	APPROVED BY: 邱国夷	DATE : 2014-02-23	DRAW NO: HYC-PC117061212
SCALE: 1:1 SIZE: A4			SHEET NO. 1 OF 1



MINI PCI EXPRESS MODULE BOARD LAYOUT

鋁創科技有限公司

TOLERANCE: X.X ±0.30 X.XX ±0.25 X.XXX ±0.15 X.' ±2' X.X' ±0.5'	DRAWN BY : 陈一鸣	DATE : 2014-02-23	PART NAME: MINI PCI 9.0H
	CHECKED BY: 马跃	DATE : 2014-02-23	PART NO. HYC03-PCI152-90
 UNIT: mm [inch] SCALE:1:1 SIZE: A4	APPROVED BY: 邱国夷	DATE : 2014-02-23	DRAW NO: HYC-PCI17061212
			SHEET NO. 1 OF 1