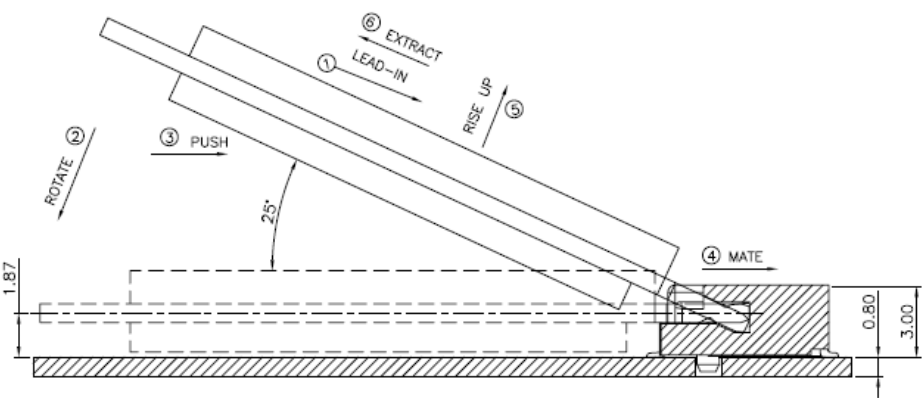
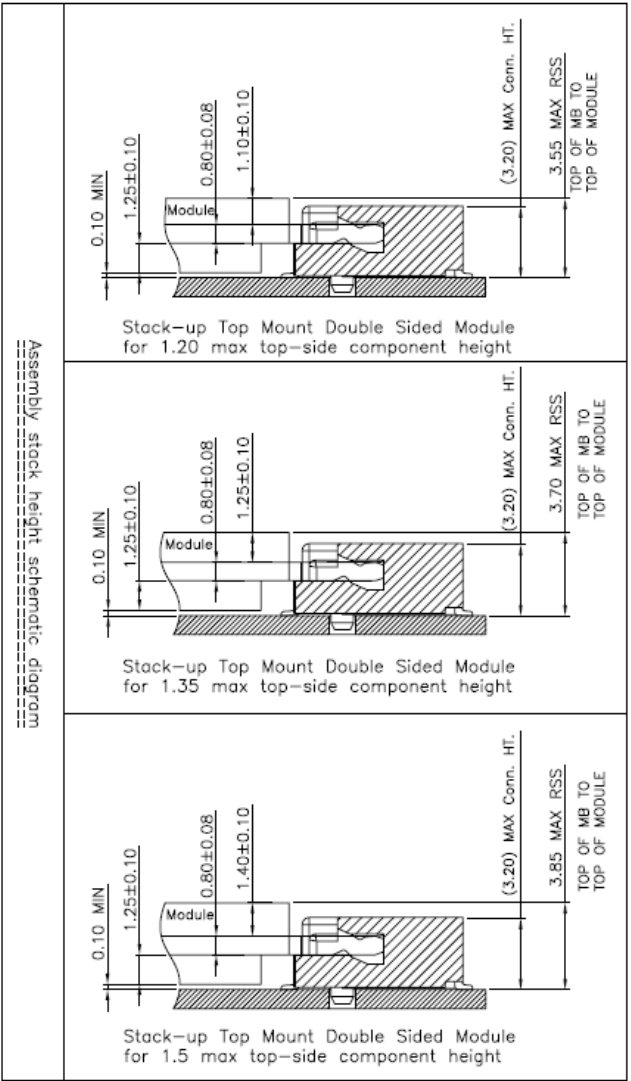


- NOTES:
- MATERIAL SPECIFICATION:
 - HOUSING: LCP+40%GF, UL94V-0, COLOR: BLACK.
 - CONTACT: COPPER ALLOY.
 - SMT TAB: S50C.
 - PLATING SPECIFICATION:
 - CONTACT:
 - 50u" MIN. NICKEL UNDER PLATING OVER ALL.
 - G/F PLATING ON SOLDER AREA.
 - GOLD PLATING ON CONTACT AREA: SEE TABLE
 - SMT TAB:
 - 50u" MIN. NICKEL UNDER PLATING OVER ALL.
 - 80u" MIN. MATTE TIN PLATING ON SOLDER AREA.
 - HF COMPLIANT, ROHS COMPLIANT.
 - DATE CODE: XXXXXX

DAY	WEEK	YEAR
 - MECHANICAL PERFORMANCE:
 - DURABILITY: SEE TABLE
 - ELECTRICAL PERFORMANCE:
 - CURRENT: 0.5A PER PIN.
 - LLCR: INITIAL 55mΩ MAX. ; FINAL ΔLLCR=20mΩ MAX.
 - IR REFLOW:

THE TEMPERATURE SHALL BE 260±5°C MAINTAINING 10±1 SECONDS.

鉍創科技有限公司 TRONTEK TECHNOLOGY CO., LTD.			
TOLERANCE: X.X ±0.30 X.XX ±0.25 X.XXX ±0.15	DRAWN BY : 陈一鸣	DATE : 2014-02-23	PART NAME: NGFF M.2 B KEY 3.2H 0.5PH
X' ±2' X.X' ±0.5'	CHECKED BY: 马跃	DATE : 2014-02-23	PART NO. MOLD NO.
UNIT: mm [inch]	APPROVED BY: 邱国夷	DATE : 2014-02-23	DRAW NO. SHEET NO.
SCALE: 1:1 SIZE: A4			TS11B-05NGFF-320 1 OF 1

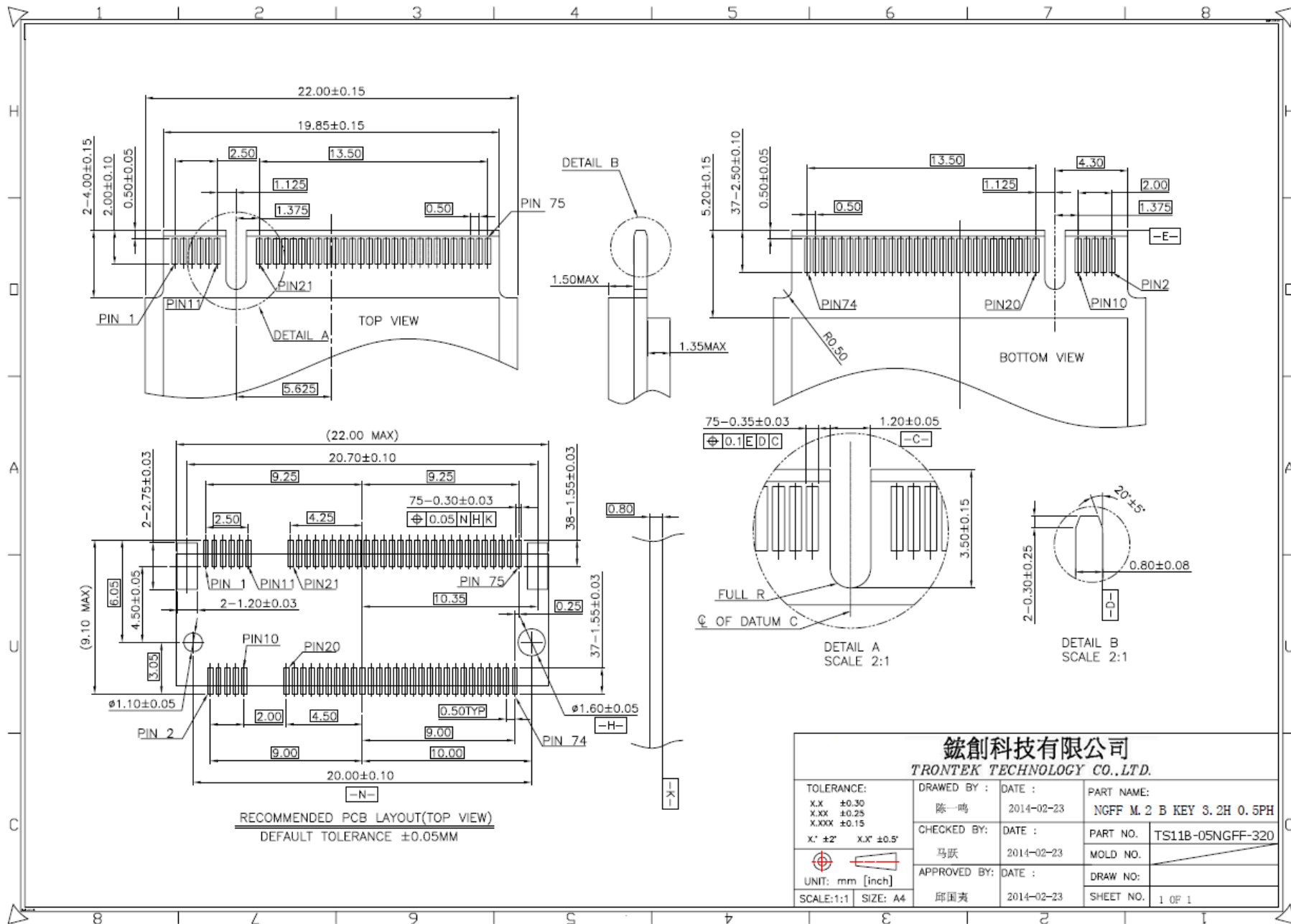


HOW TO MATE AND EXTRACT
 =====
 MATE: ① → ④
 EXTRACT: ⑤ → ⑥

NOTE:Mating force will generate from step 3 to step 4.

鉅創科技有限公司
 TRONTEK TECHNOLOGY CO.,LTD.

TOLERANCE: X.X ±0.30 X.XX ±0.25 X.XXX ±0.15 X.' ±2' X.X' ±0.5'	DRAWN BY : 陈一鸣	DATE : 2014-02-23	PART NAME: NGFF M.2 B KEY 3.2H 0.5PH	
	CHECKED BY: 马跃	DATE : 2014-02-23	PART NO.	TS11B-05NGFF-320
UNIT: mm [inch]	APPROVED BY:	DATE :	DRAW NO:	
SCALE:1:1 SIZE: A4	邱国夷	2014-02-23	SHEET NO. 1 OF 1	



RECOMMENDED PCB LAYOUT(TOP VIEW)
 DEFAULT TOLERANCE ±0.05MM

鉅創科技有限公司 TRONTEK TECHNOLOGY CO.,LTD.			
TOLERANCE: X.X ±0.30 X.XX ±0.25 X.XXX ±0.15	DRAWN BY : 陈一鸣	DATE : 2014-02-23	PART NAME: NGFF M.2 B KEY 3.2H 0.5PH
X' ±2" X.X' ±0.5"	CHECKED BY : 马跃	DATE : 2014-02-23	PART NO. TS11B-05NGFF-320
UNIT: mm [inch]	APPROVED BY : 邱国夷	DATE : 2014-02-23	MOLD NO.
SCALE:1:1	SIZE: A4		DRAW NO.
			SHEET NO. 1 OF 1