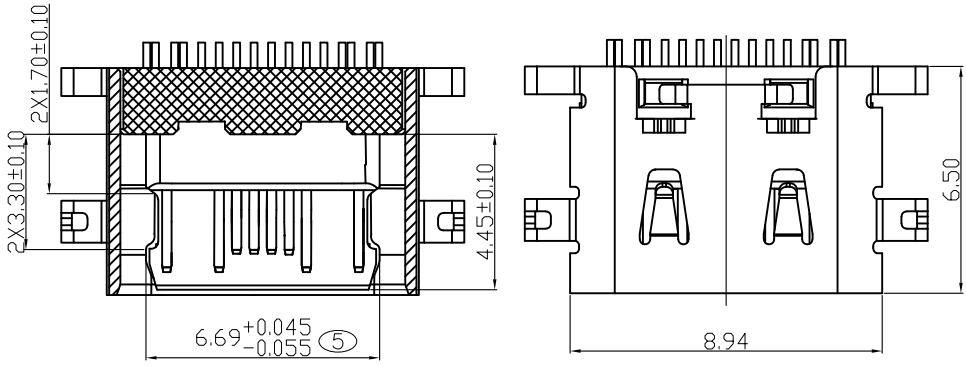
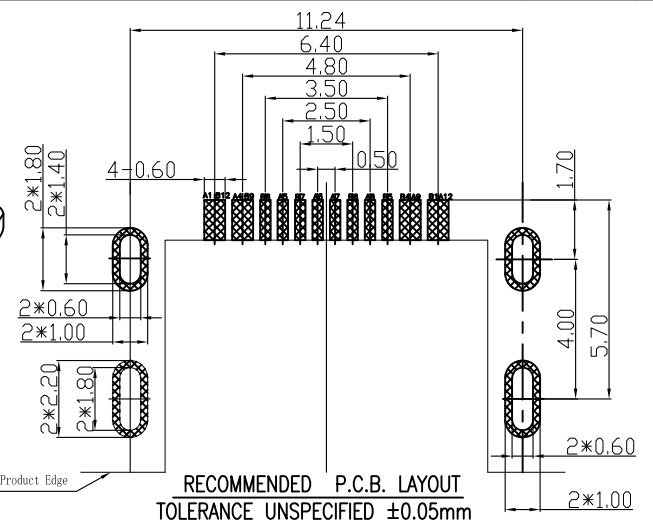
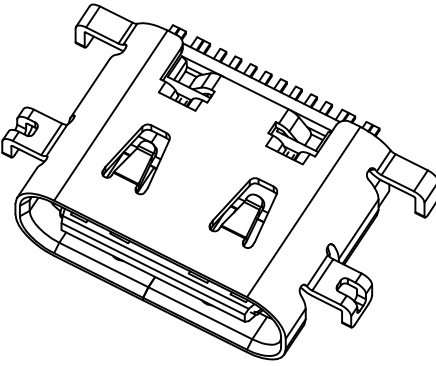
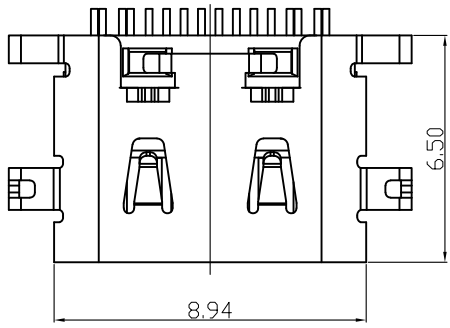


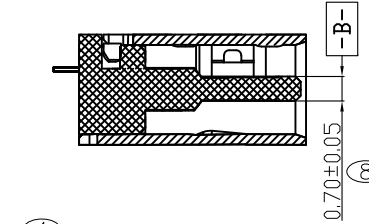
REV	LTR	DESCRIPTION	DATE	APPROVED
A0		依新料号编码原则发行图面	2024.08.12	



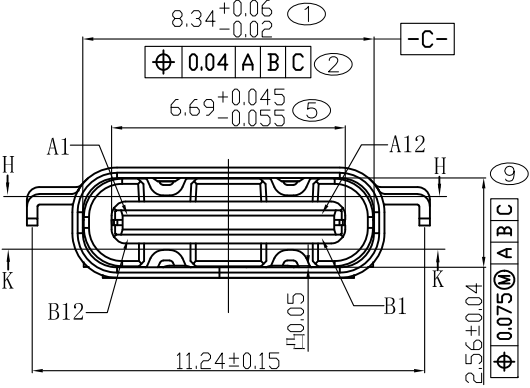
SECTION H-H



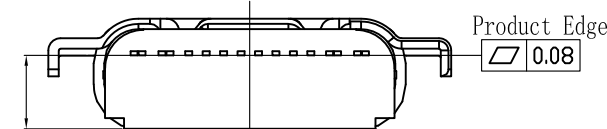
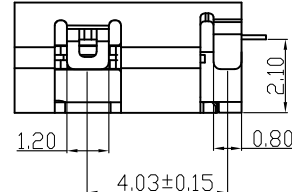
RECOMMENDED P.C.B. LAYOUT  
TOLERANCE UNSPECIFIED ±0.05mm



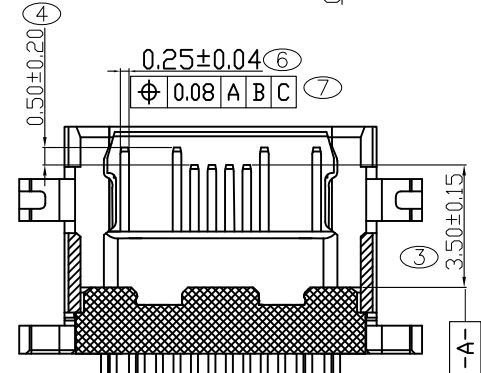
SECTION B-B



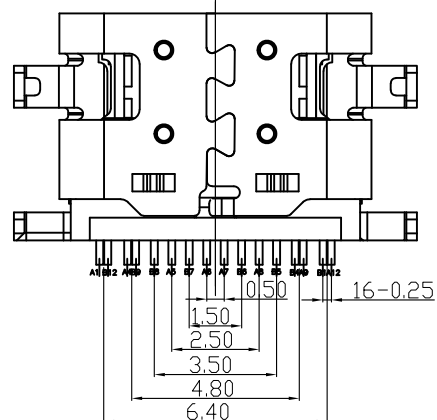
SECTION C-C



SINKING PLATE



SECTION K-K



A1	GND	B12	GND
A4	VBUS	B9	VBUS
A5	CC1	B8	SBU2
A6	DP1	B7	DN2
A7	DN1	B6	DP2
A8	SBU1	B5	CC2
A9	VBUS	B4	VBUS
A12	GND	B1	GND
PIN	SIGNAL NAME	PIN	SIGNAL NAME

- NOTES:  
SPECIFICATION:
- CURRENT RATING: 3.0A MAX
  - VOLTAGE: 100 VAC
  - TEMPERATURE RANGE: -30 °C ~ 85 °C
  - CONTACT RESISTANCE: 40 MILLIONHM MAX
  - INSULATION RESISTANCE: 100 MEGOHMS MIN.
  - INSERTION FORCE : 5N~20N
  - UNMATING FORCE: 8N~20N
  - DURABILITY: 10,000 CYCLES

NO.	DESCRIPTION	MATERIAL	REMARKS	QTY
7	COVER SHELL	STAINLESS STEEL	NI Plated 40U"min	1PCS
6	SHELL	STAINLESS STEEL	NI Plated 40U"min	1PCS
5	SHIELDING PLATE	STAINLESS STEEL	---	1PCS
4	MD	HIGH TEMPERATURE PLASTIC	BLACK	1PCS
3	CONTACT	COPPER ALLOY	Au 1U"min /NI Plated 40U"min	1SET
2	CONTACT	COPPER ALLOY	Au 1U"min /NI Plated 40U"min	1SET
1	HOUSING	HIGH TEMPERATURE PLASTIC	PA9T-GP2450 BLACK	1PCS

品名 TITLE	TYPE CF 16P贴板 沉板2.1四脚插板 3A 3MD SUS304 带弹 编带	设计 DESIGNED BY:	Z G T	比例 SCALE	1:1	RoHS	HF	TOLERANCE (UNLESS SPECIFIED)	.0±0.30 .0° ±10° .00±0.20 .0° ±8° .000±0.10 .00° ±5°
料号 PART NO:	TUC471-BTCP-16-005	审核 CHECKED BY:	C J L	张数 SHEET	1/1				
图号 DWG NO:		批准 APPROVE BY:	L S W	版本 VER.	A0	单位 UNITS:	mm		

鉸創科技有限公司  
TRONTEK TECHNOLOGY CO., LTD.

