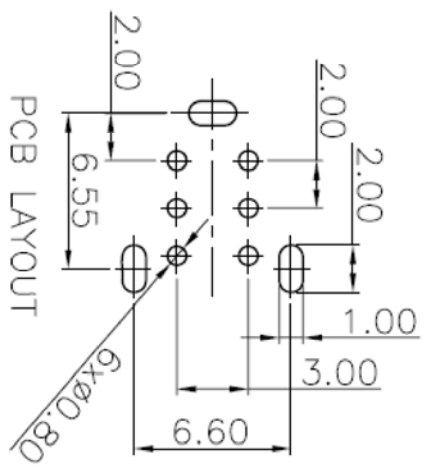
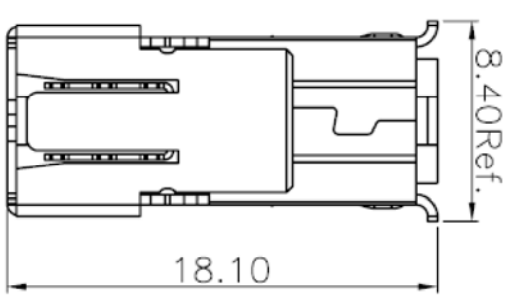
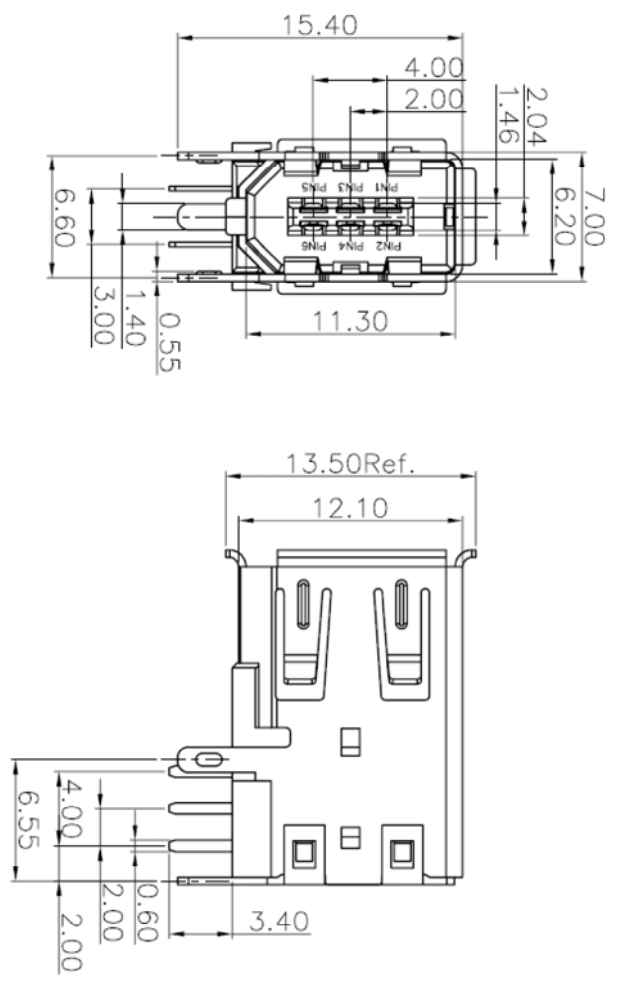


REV.	ECN NO.	LOCATIONS.	DESCRIPTION	DATE	CHANGER



Housing: Thermoplastics, UL94V-0  
 Contact: Copper Alloy  
 Shell: Copper Alloy / Steel  
 Voltage Current Rating: 1.5 AMP. 40V AC  
 Insulation Resistance: 500MΩ Min.  
 Contact Resistance: 50 mΩ Max.  
 Dielectric Withstanding Voltage: 500V AC  
 Temperature Range: -20°C to +85°C

GENERAL TOLERANCE		X ± 0.30		X ± 3°	
		X ± 0.25		X ±	
		.XX ± 0.20		.XX ±	
		.XXX ± 0.10		.XXX ±	
TITLE:		1394 6P 90D 侧插式			

CUSTOMER DRAWING		PART NO. TIE-07-05-04		DWG NO. 20120613	
APPROVED	CHECKED:	DRAWN:	SCALE:	SHEET:	REV.
Tony	Tony	sunny	1:1	1 / 1	A

鉅創科技有限公司  
 TRONTEK TECHNOLOGY CO., LTD.