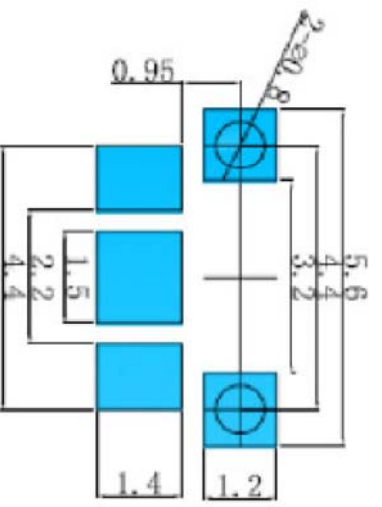
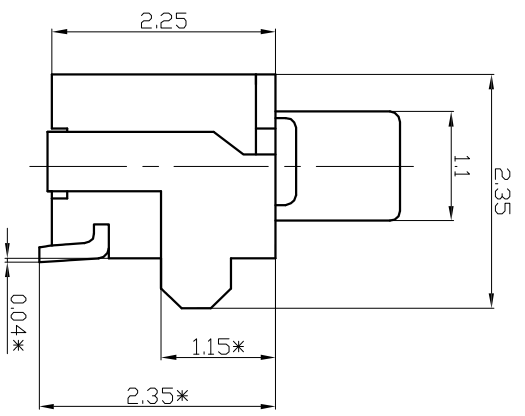
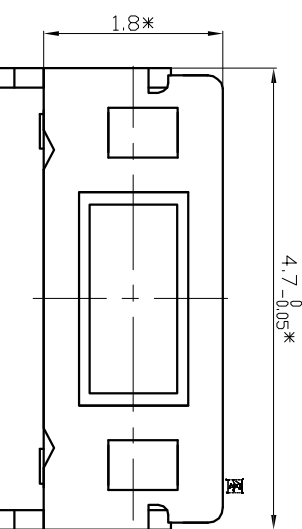
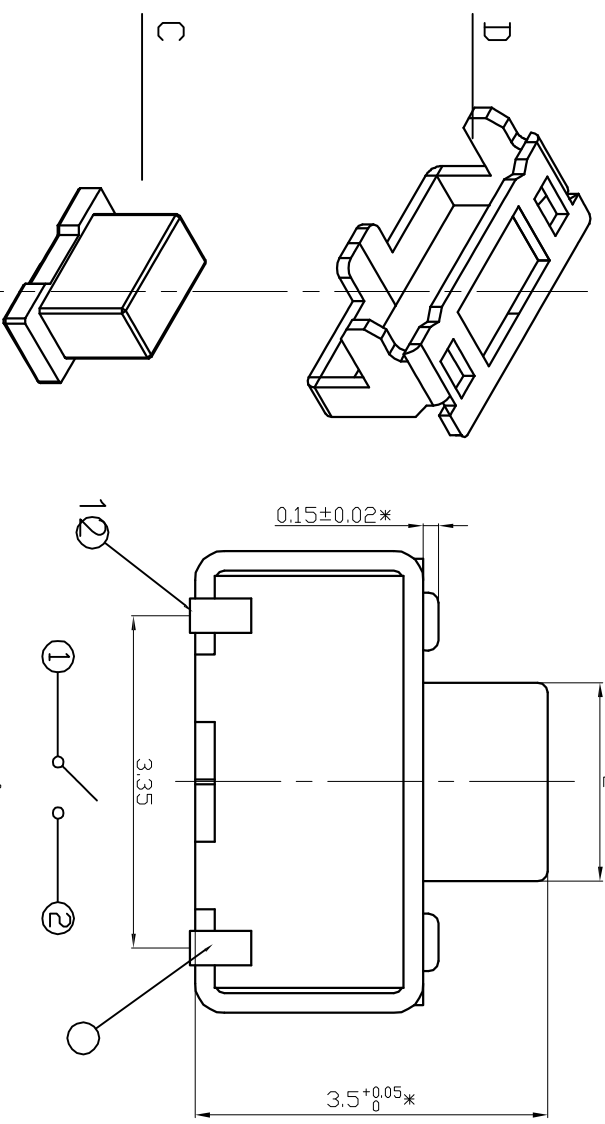


REV.	ECN NO.	LOCATIONS.	DESCRIPTION	DATE	CHANGER
------	---------	------------	-------------	------	---------

1. Rating : DC 12V. 50mA
2. Operating Force : 200g ±50gf
3. Contact Resistance : 100m Ω MAX
4. Life : 30,000 Min ~ 100,000 Cycles Max.



序	名	物	数量
D	板	A11-04	1
C	按钮	A11-03	1
B	簧	A11-02	1
A	底座	A11-01	1

GENERAL TOLERANCE		X± 1'	
X± 0.15	X±	X± 1'	
XX± 0.10	XX±	X± 1'	
XXX± 0.05	XXX±	X± 1'	

TACT SWITCH
 TRONTEK TECHNOLOGY CO., LTD.
 鉅創科技有限公司

CUSTOMER DRAWING
 PART NO. RS4201VS SERIES
 DWG NO. 20130512
 APPROVED: EVEN
 CHECKED: EVEN
 DRAWN: sunny
 SCALE: 6:1
 SHEET: 1 / 1
 A