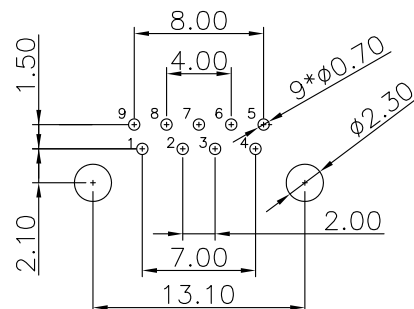
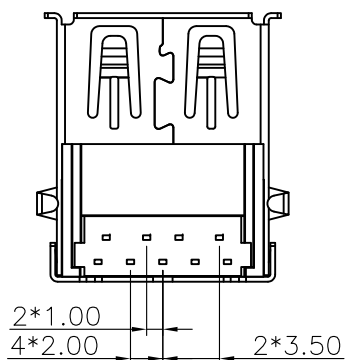


NOTES:

1. MATERIAL:
 - 1.1. HOUSING: PBT ,COLOR IS BLUE;
 - 1.2. CONTACT: BRASS (H65 T=0.20&0.25mm);
 - 1.3. SHELL: BRASS (H65 T=0.30mm);
2. ELECTRICAL:
 - 4.1. VOLTAGE RATING: 30V DC ;
 - 4.2. CURRENT RATING: 1.5A ;
 - 4.3. CONTACT RESISTANCE: 30MILLIOHMS MAX.;
 - 4.4. WITHSTAND VOLTAGE: 100V AC RMS 50(60)Hz,1MIN.;
 - 4.5. INSULATION RESISTANCE: 100MEGOHMS MIN @500V DC;
5. MECHANICAL:
 - 5.1. MATING FORCE: 35N MAX.;
 - 5.2. UNMATING FORCE: 5~35N ;
 - 5.3. OPERATING LIFE: 1500 CYCLES MIN.;
6. PLATING:
 - 6.1. TERMINAL:
 - NI PLATING OVER ALL,
 - Tin PLATING ON SOLDER AREA,
 - Au G/Fu" ON CONTACT AREA;
 - 6.2. SHELL: NI PLATING OVER ALL;
7. ENVIRONMENTAL:
 - 7.1. STORAGE TEMPERATURE RANGE: -40°C~+85°C;
 - 7.2. OPERATION TEMPERATURE RANGE: -25°C~+70°C;



RECOMMENDER P.C.B. LAYOUT TOP VIEW
(COMPONENT SIDE TOLERANCE±0.05)

PIN NUMBER	SIGNAL NAME
PIN 1	Vbus
PIN 2	D-
PIN 3	D+
PIN 4	GND
PIN 5	StdA_SSRX-
PIN 6	StdA_SSRX+
PIN 7	GND_DRAIN
PIN 8	StdA_SSTX-
PIN 9	StdA_SSTX+
SHELL	GND

鉞創科技有限公司 TRONTEK TECHNOLOGY CO.,LTD.			
TOLERANCE: X.X ±0.30 X.XX ±0.25 X.XXX ±0.15 X: ±2' X.X' ±0.5'	DRAWN BY :	DATE :	PART NAME:
	FRANK	2021.01.29	USB-3.0-AF-90° 弯脚有卷边
 UNIT: mm [inch]	CHECKED BY:	DATE :	PART NO.
	ANDY	2021.01.29	TUB97-USBA09-168
SCALE:1:1 SIZE: A4	APPROVED BY:	DATE :	DRAW NO:
	SHALLY	2021.01.29	TUB97-USBA09-168
			SHEET NO.
			10F1