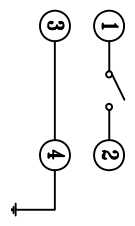
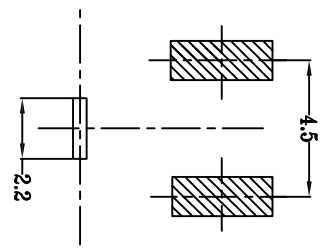


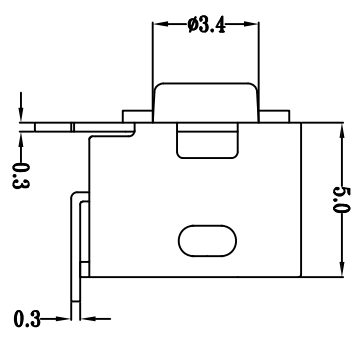
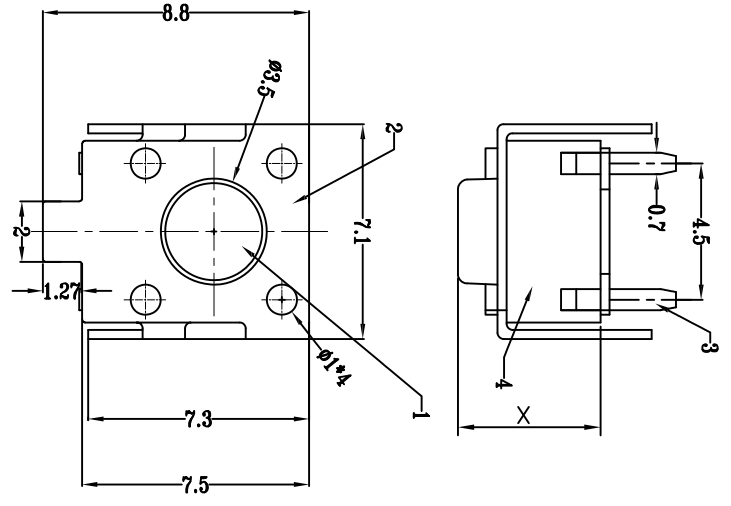
REV.	ECN NO.	LOCATIONS.	DESCRIPTION	DATE	CHANGER



SCHEMATIC



P.C.B. LAYOUT



MODEL NO	X (mm)
RS6601VNS	4.3mm
RS6601VNSA	5.0mm
RS6601VNSB	7.0mm
RS6601VNSC	8.0mm
RS6601VNSD	9.5mm

NO.	PART NAME	MATERIAL	QTY.	FINISHING
1	KNOB	PPA	1	BLACK
2	COVER	MILD STEEL	1	Sn PLATED
3	TERMINAL	BRASS STRIP	1	Ag PLATED
4	CASE	PPS	1	BLACK
5	CONTACT	PBS	1	Ag CLAD
6				
7				
8				
9				

GENERAL TOLERANCE	
X±	X± 1°
.X± 0.15	.XX±
.XX± 0.10	.XXX±
.XXX± 0.05	.XXX±

鑄創科技有限公司
TRONTEK TECHNOLOGY CO., LTD.
TITLE: TACT SWITCH

CUSTOMER DRAWING PART NO. RS6601VNS-LF SERIES DWG NO. 20130512

APPROVED	CHECKED	DRAWN	SCALE	SHEET
EVEN	EVEN	sunny	6:1	1 / 1