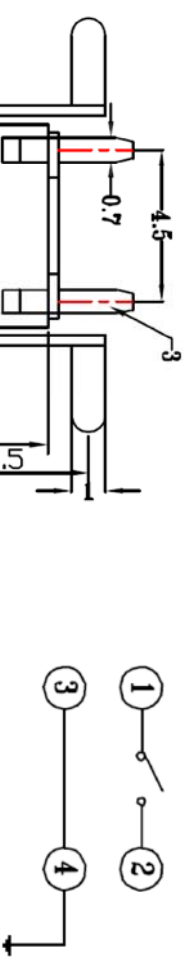
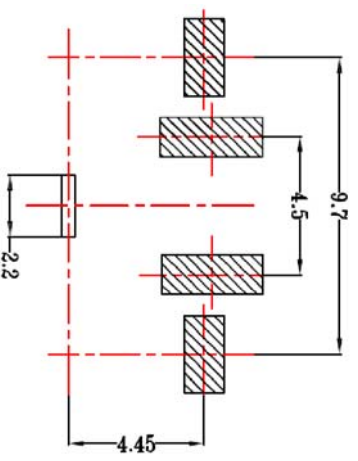
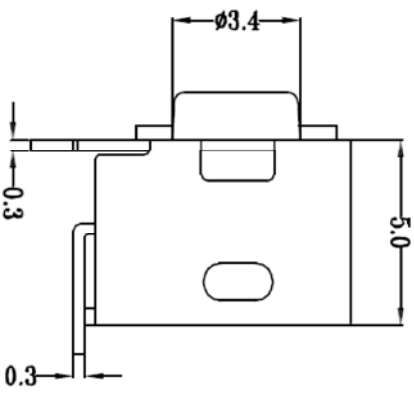
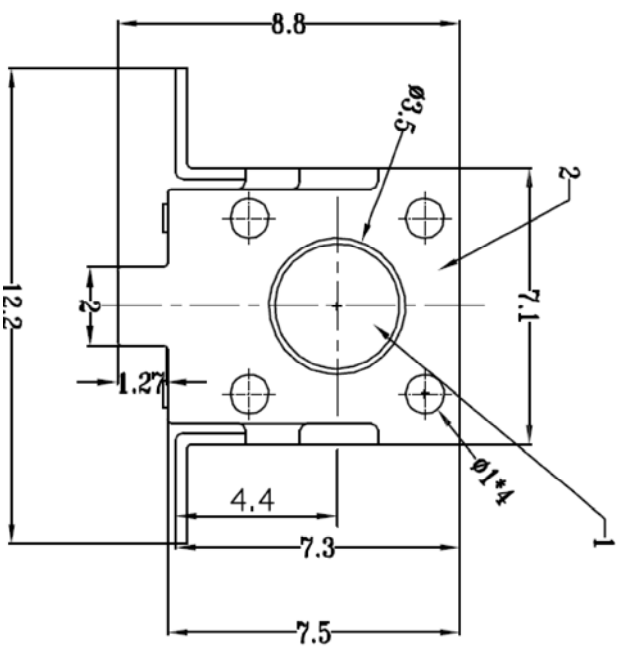


REV.	ECN NO.	LOCATIONS	DESCRIPTION	DATE	CHANGER



1. Rating : DC 12V. 50mA
2. Travel : 0.25±0.1mm
3. Operating Force: 100 & 160±30gf, 250±50gf
4. Contact Resistance: 50m Ω MAX
5. Life : 100,000 Cycles Min

SCHEMATIC



P. C. B. LAYOUT

MODEL NO	X (mm)
RS6601VS-LF	4.3mm
RS6601VSA-LF	5.0mm
RS6601VSB-LF	7.0mm
RS6601VSC-LF	8.0mm
RS6601VSD-LF	9.5mm

NO.	PART NAME	MATERIAL	QTY.	FINISHING
1	COVER	MILD STEEL	1	Sn PLATED
2	NOB	NYLON 6T	1	BLACK
3	TERMINAL	BRASS STRIP	1	Ag PLATED
4	CASE	NYLON 6T	1	BLACK
5	CONTACT	PBS	1	Ag CLAD

GENERAL TOLERANCE	
X±	X*± 1°
X± 0.15	X*±
.XX± 0.10	.XX*±
.XXX± 0.05	.XXX*±

CUSTOMER DRAWING		PART NO.	DRAWN:		SCALE:	SHEET:
EVEN		RS6601VS-LF SERIES	sunny		6:1	1 / 1
APPROVED		TITLE:		PROJ.	TECH.	
EVEN		TACT SWITCH		20130512		A

鉸創科技有限公司
FRONTEK TECHNOLOGY CO., LTD.