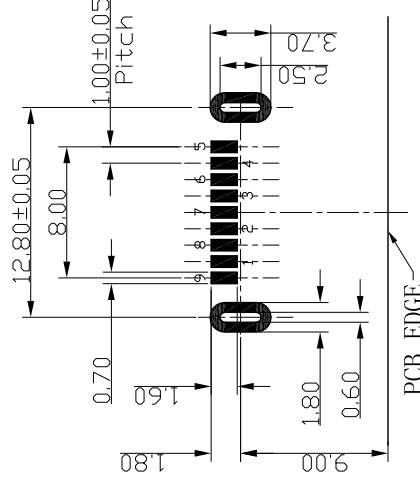
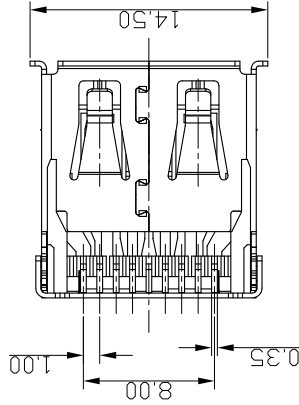
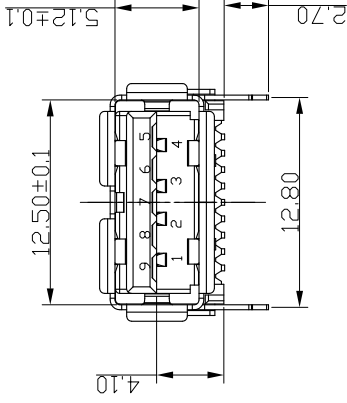
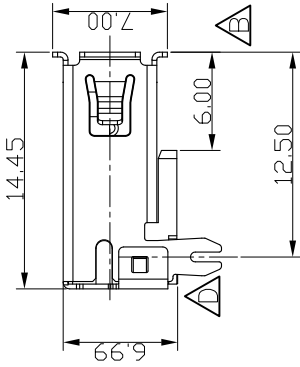
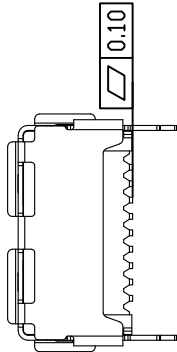
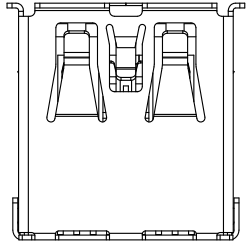


RoHS Compliant



Pin NUMBER	SIGNAL NAME
1	VBUS
2	D-
3	D+
4	GND
5	StdA_SSRX-
6	StdA_SSRX+
7	GND_DRAIN
8	StdA_SSTX-
9	StdA_SSTX+
ShellShield	

NOTE:

- MATERIAL:
 - INSULATOR: HIGH TEMPERATURE PLASTIC
 - CONTACT: BRONZE
 - SHELL: BRASS
- ELECTRICAL CHARACTERISTICS:
 - CONTACT RESISTANCE: 30mΩ MAXIMUM
 - CONTACT CURRENT RATING: 1.5A
 - DIELECTRIC WITHSTANDING VOLTAGE: 100 V AC R.M.S.
 - INSULATION RESISTANCE: 100 MEGOHMS MIN
 - OPERATING TEMPERATURE: -40° C ~ 85° C
- MECHANICAL CHARACTERISTICS:
 - MATING FORCE: 3.57kgf MAX
 - UNMATED FORCE: 0.82kgf MIN AFTER TEST
 - DURABILITY MANDATORY: 1,500 CYCLES
- PLATING:
 - TERMINAL:
 - 50u" MIN NICKEL ALL OVER
 - 80u" MIN Tin ON SOLDER AREA (1~30)u" Au ON CONTACT AREA
 - SHELL: 50u" MIN. NICKEL ALL OVER

930 - 00406 - XXX-XX

SERIES CODE: FEMALE
Mould FLOW NO.
FLOW NO.
MATERIAL: A: LCP

1: TRAY PACKAGING
2: BLACK TAPE REEL PACKAGE
5: Transparent TAPE REEL PACKAGE
1: RoHS 2: HALOGEN FREE
PLATING:
1: G/F 4: Gold 10u"
2: Gold 3u" 5: Gold 15u"
3: Gold 5u" 6: Gold 30u"
COLOR: 5: BLACK 9: BLUE

RECOMMENDED PCB LAYOUT

TOLERANCES: ±0.05

ECN. NO	REV	DATE	DESCRIPTION	CHANGED	APPROVED	UNIT	SHEET: 1 OF 1	SCALE: FIT	DIM NO. (X)	Places
D	16.08.30		修改鱼叉脚深度	Y.XY	Kfm				X ± 0.50	X° ± 3'
C	15.11.26		主体增加倒角	C.M	Kfm				.X ± 0.30	.X° ± 2'
B	15.05.06		主体贴板位置加长, 7.9改为6.0	L.RC	Kfm				.XX ± 0.20	.XX° ± 1'
									.XXX ± 0.10	.XXX° ± 0.5'

TOLERANCES UNLESS	DATE	DESIGN: L.RC	DATE
X ± 0.50	2015.05.06	TRONTEK TECHNOLOGY CO., LTD.	
.X ± 0.30		USB 3.0 AP板上SMT短	
.XX ± 0.20		体口4.45 主体加长	
.XXX ± 0.10			

APPROVED:	DATE:	PART NO:	SIZE:
		930-00406-XXX-XX	A4
		DWG NO:	REV:
		930-00406-XXX-XX	D

COMPANY	DATE	DESIGN	DATE
鉅創科技有限公司	2015.05.06	TRONTEK TECHNOLOGY CO., LTD.	