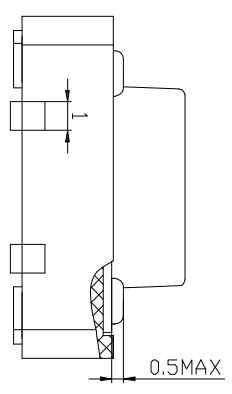
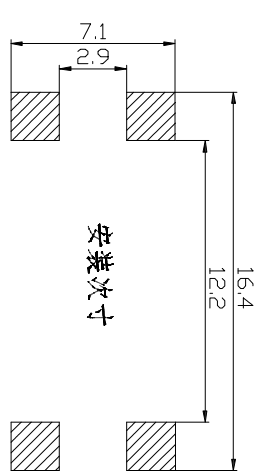
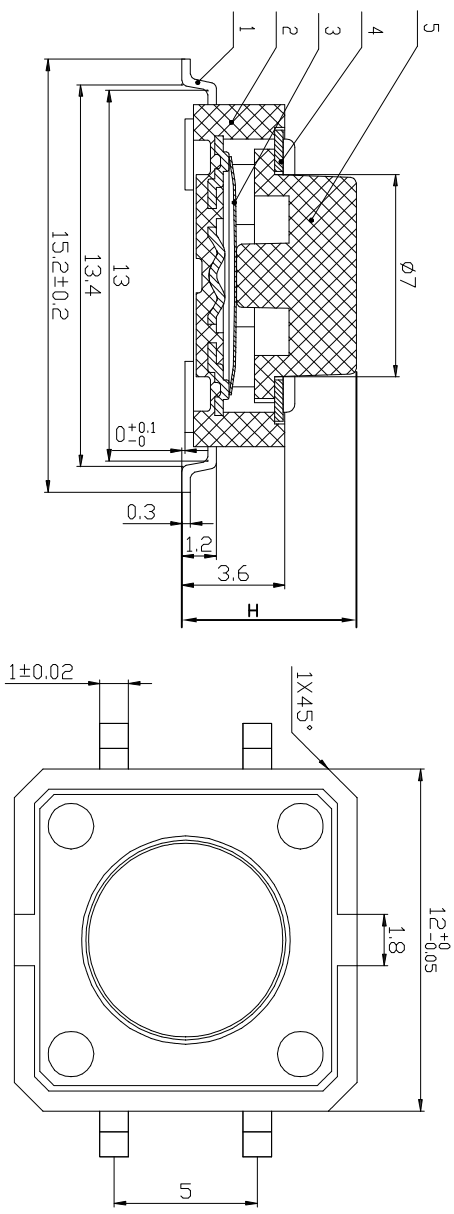


REV.	ECN NO.	LOCATIONS	DESCRIPTION	DATE	CHANGER



General tolerance: ±0.2mm

MODEL NO	RS2201NSC	RS2201NSF	RS2201NSJ	RS2201NSK	RS2201NSM	RS2201NSN
H (mm)	8.0	9.5	9.0	11.0	12.0	13.0
MODEL NO	RS2201NSY	RS2201NSH	RS2201NSHA	RS2201NSB	RS2201NSI	
H (mm)	8.5	4.3	5.0	7.5	6.5	

NO.	NAME	MATERIAL	QTY.	FINISHING
1	TERMINAL	Brass	1	Silver plating
2	CASE	FR52G30NH	1	Black
3	CONTACT	Phosphor bronze	1	Contact side silver plating
4	COVER	SPCC-SD	1	
5	STEM	FR52/NY66	1	STEM:65.9,0.11,12.13 IS NYLON & PC MATERIAL

GENERAL TOLERANCE		TITLE:	
X±	X±1°	鉸創科技有限公司	
X± 0.30	.X±	TRONTEK TECHNOLOGY CO., LTD.	
.XX± 0.20	.XX±	TACT SWITCH	
.XXX± 0.10	.XXX±		

CUSTOMER DRAWING		DRAWN:		SCALE:		SHEET:	
APPROVED	Paul	CHECKED:	Paul	sunny	4:1	1 / 1	B
PART NO. RS2201NS SERIES		20121215					