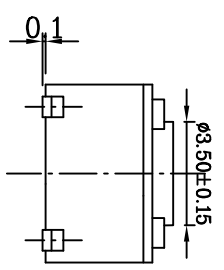
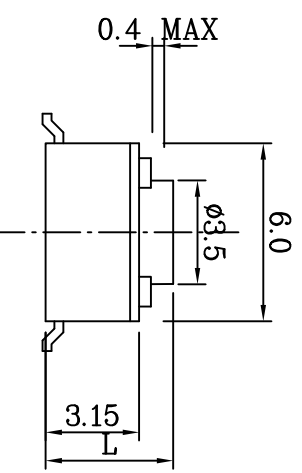
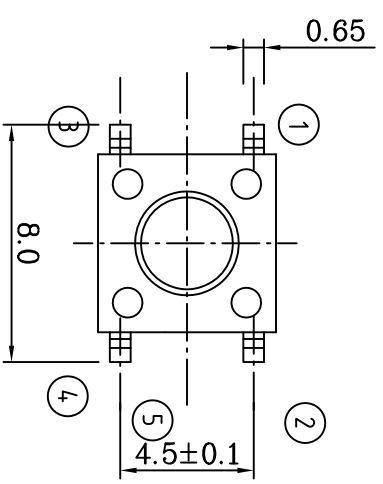
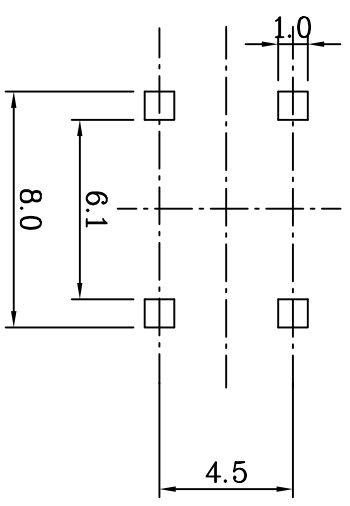
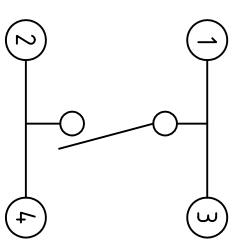


REV/ECN NO.	LOCATIONS	DESCRIPTION	DATE	CHANGER

P.C.B LAYOUT



MODEL NO	A	I	B	C	D	J	D	K
L(mm)	4.30	5.00	6.00	7.00	8.00	9.50	9.00	11.00

1. Rating : DC 12V, 50mA
2. Travel : 0.25±0.1m/m
3. Contact Resistance: 50m Ω MAX

ITEM	DESCRIPTION	Q'TY	MATERIALS	TREATMENT	REMARK
1	STEM	1	HIGH-TEMP THERMOPLASTIC NY6T		
2	COVER	1	SPCC	WITH NI PLATING	
3	CONTACTOR	1	PHOSPHOR BRONZE	WITH SILVER CLADDING	
4	TERMINAL	1	BRASS	WITH SILVER CLADDING	
5	BASE	1	HIGH-TEMP THERMOPLASTIC NY6T	MOLDED BLACK	

GENERAL TOLERANCE	
X±	X*± 1°
X± 0.30	.X*±
.XX± 0.20	.XX*±
.XXX± 0.10	.XXX*±

CUSTOMER DRAWING PART NO. RS6647N-LJF DWG NO. 20130719

APPROVED	CHECKED	DRAWN	III	SCALE	SHEET
Kevin	Paul	Frank	mm	1:1	1 / 1
				PROJ	NO.
					A

鉸創科技有限公司
TRONTEK TECHNOLOGY CO., LTD.

TITLE: TACH SWITCH