

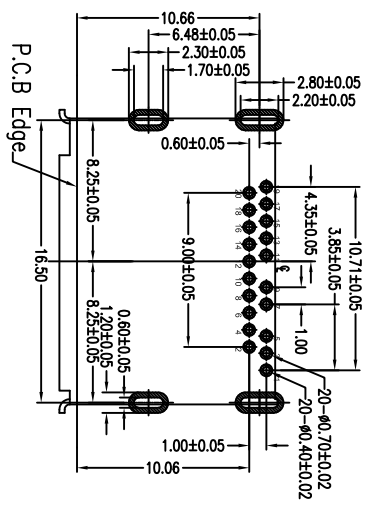
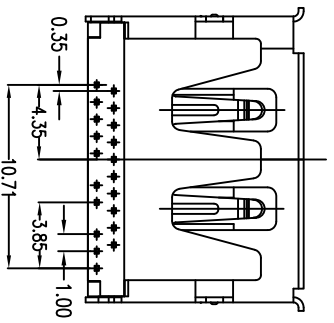
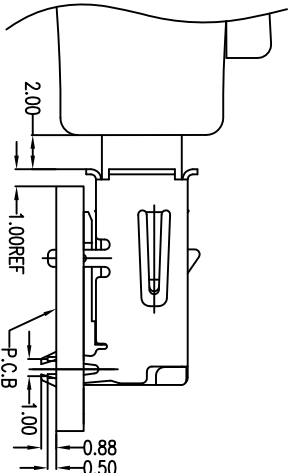
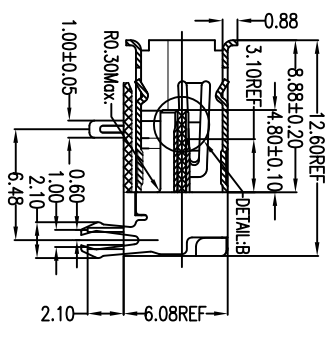
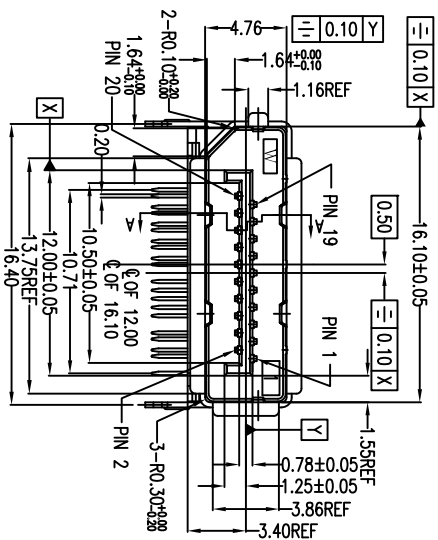
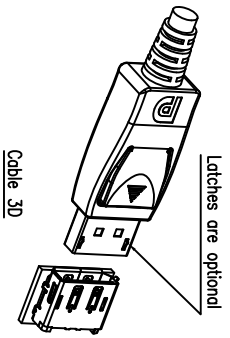
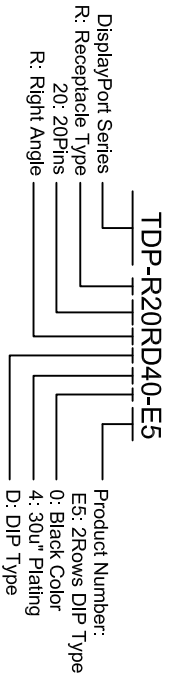
No.	Signal Type	No.	Signal Type
1	In	11	GND
2	GND	12	In
3	In	13	CONFIG(see note 1)
4	In	14	CONFIG(see note 1)
5	GND	15	I/O
6	In	16	GND
7	In	17	I/O
8	GND	18	Out
9	In	19	R/TN
10	In	20	Power Out(see note 2)

**NOTES:**

- Material:**  
Housing: LCP+50%G.F, UL94V-0 Rated.  
Color: Black.  
Contact: Brass.  
Plating: Gold Plating over Nickel on Contact Area.  
Tin Plating on Solder Tail.  
Shell: Brass.  
Plating: Nickel Plating.
- Mechanical:**  
Insertion Force: 4.5Kgf Max.  
Withdrawal Force: 1.0~4.0Kgf.

- Electrical Specification:**  
Operation Voltage: 40VAC Max.  
Current Rating: 0.5 Ampere per Contact.  
Contact Resistance: 30mΩ Max.  
Insulation Resistance: 100MΩ Min.  
Dielectric Withstanding Voltage: 500V AC Min.
- Environmental:**  
Operating Temperature: -20°C to +85°C

**Part Number:**



**鎂創科技有限公司**

TRONTEK TECHNOLOGY CO., LTD.

DisplayPort Connector 20P, Receptacle  
2Rows DIP Type, Without Flange

REV	DATE	DESCRIPTION
A	11/19/08	RELEASED FOR PRODUCTION

UNLESS OTHERWISE SPECIFIED	CAD GENERATED DRAWING, DO NOT MANUALLY UPDATE
DECIMALS	ANGLES
X.X ±.25	±.3°
XXX ±.25	
XXX ±.20	

APPROVALS	DATE	DESCRIPTION
DRAWN CHHS	11/19/08	
CHECKED Cndy	11/19/08	
APPV Jason	11/19/08	

DWG. NO.	SCALE	REV.
TDP-R20-E05	NONE	A