

REV.	ECN NO.	LOCATIONS.	DESCRIPTION	DATE	CHANGER

规格说明: Specifications:

电气特性: Electrical:

1. 额定电流: Current Rating
1.0A/contact terminal
2. 额定电压: Voltage Rating
30V DC
3. 接触阻抗: Contact Resistance
50 milliohms MAX
4. 耐电压: Dielectric Withstanding Voltage:
300 V AC AT Sea Level
5. 绝缘阻抗: Insulation Resistance:
100MEGA ohms MIN

物理性能: Mechanical:

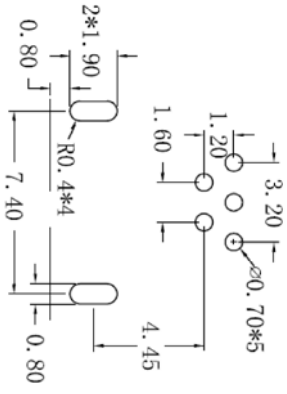
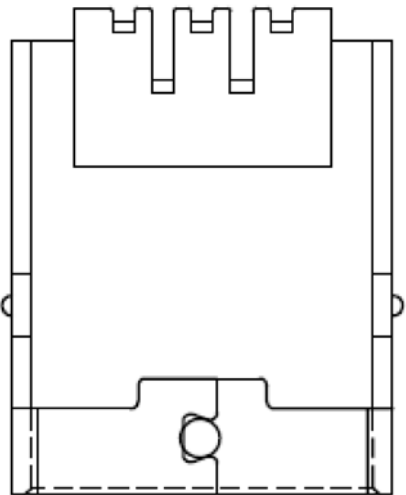
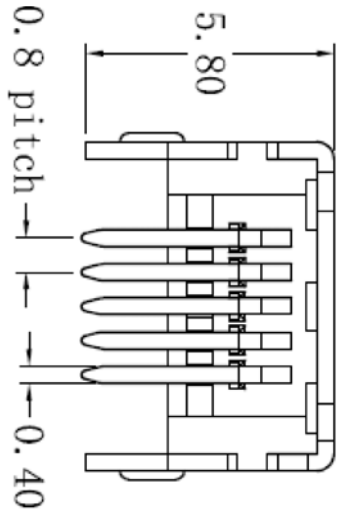
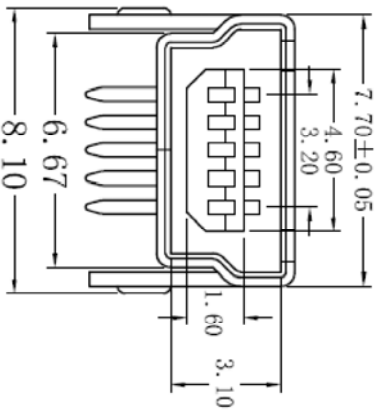
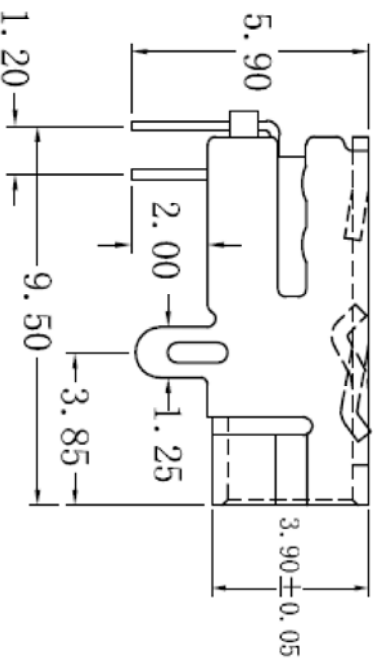
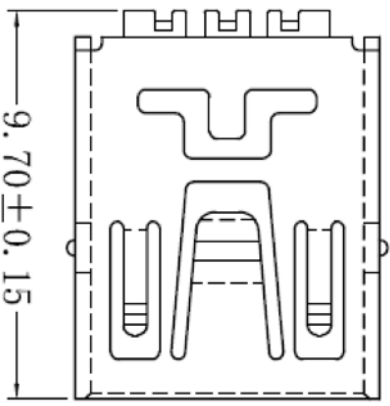
1. 插拔力: Connector Mate and Unmate Force
Mate force: 3.0kgf (MAX)
Unmate force: 0.7kgf (MIN)
2. 端子保持力: Terminal Retention
0.5kgf (MIN)

原材料: Material:

- 1. 塑胶: Housing:**
Hing Temperature Thermoplastics,
UL 94V-0 LCP Black
- 2. 端子: Contact:** Copper Alloy C5191/C2680
- 3. 外壳: Shell:** Copper Alloy C2680

电镀: Finish:

1. 端子: Contact: Plated Gold in Mating Area:
Tin On Solder Talls
2. 外壳: Shell:
Nickel Plating



RECOMMENDED PCB LAYOUT

GENERAL TOLERANCE	
X ± 0.40	X* ± 5°
X ± 0.38	X* ± 3°
XXX ± 0.30	XXX ±
XXX ± 0.15	XXX ±

CUSTOMER DRAWING

APPROVED	CHECKED:	DRAWN:	SCALE:	SHEET:
Paul	Paul	sunny	1:1	1 / 1

鉅創科技有限公司
TRONTEK TECHNOLOGY CO., LTD.

TITLE: MINI USB 5F B TYPE 90D DIP 2 POSTS

PART NO: TMU-02-04-84
DWG NO: 20120713

