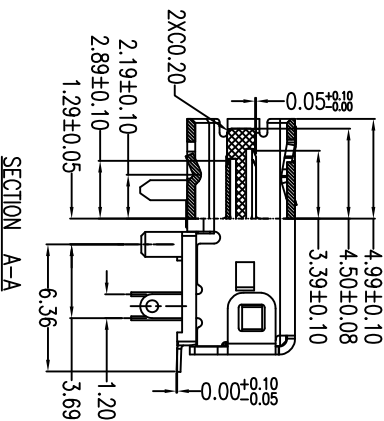
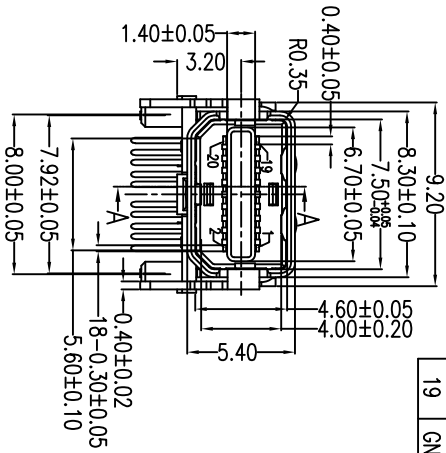
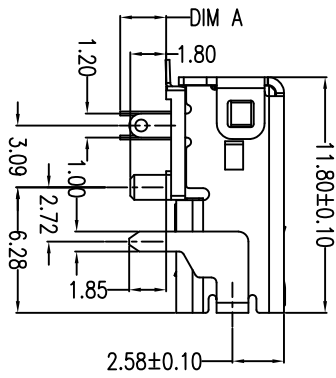


Top Row			Bottom Row		
Pin Number	Signal Type	Pin Name	Pin Number	Signal Type	Pin Name
1	GND	GND	2	In	HotPlug Detect
3	Out	ML_Lane 0(p)	4	CONFIG	CONFIG1
5	Out	ML_Lane 0(n)	6	CONFIG	CONFIG2
7	GND	GND	8	GND	GND
9	Out	ML_Lane 1(p)	10	Out	ML_Lane 3(p)
11	Out	ML_Lane 1(n)	12	Out	ML_Lane 3(n)
13	GND	GND	14	GND	GND
15	Out	ML_Lane 2(p)	16	I/O	AUX_CH(p)
17	Out	ML_Lane 2(n)	18	I/O	AUX_CH(n)
19	GND	GND	20	PWR Out	DP_PWR



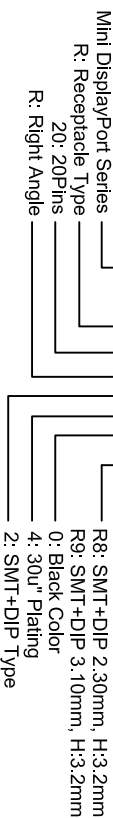
SECTION A-A

Unit:mm

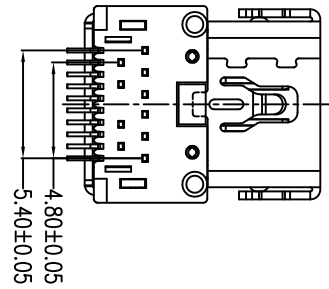
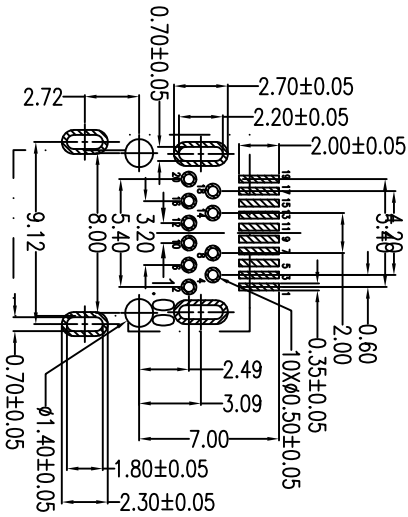
Part No.	Dim A	P.C.B Thickness
TDP-R20R240-R8	2.30	1.20
TDP-R20R240-R9	3.10	1.60

Part Number:

TDP-R20R240-R8



R8: SMT+DIP 2.30mm, H:3.2mm
 R9: SMT+DIP 3.10mm, H:3.2mm
 0: Black Color
 4: 30u" Plating
 2: SMT+DIP Type



P.C.B Layout
Component side

NOTES:

1. Material:
 Body: LCP+50%G.F, UL 94V-0 Rated.
 Color: Black.
 Insertion(Molding): LCP+30%G.F, UL 94V-0 Rated.
 Color: Black.
 Contact: Phosphor Bronze(C7025).
 Plating: Gold Plating over Nickel on Contact Area.
 Tin Plating on Solder Tail.
2. Mechanical:
 Insertion Force: 4.5Kgf Max.
 Withdrawal Force: 1.0~4.0Kgf.
 Durability: 10,000 Cycles
3. Electrical Specification:
 Operation Voltage: 30VAC Max.
 Current Rating: 0.5 Ampere per Contact.
 Contact Resistance: 30mΩ Max.
 Insulation Resistance: 100MΩ Min.
 Dielectric Withstanding Voltage: 500V AC Min.
4. Environmental:
 Operating Temperature: -40°C to +85°C

RELEASED FOR PRODUCTION

DESCRIPTION

鉅創科技有限公司

TRONTEK TECHNOLOGY CO., LTD.

REV	DATE	DESCRIPTION
A	06/01/10	Mini DisplayPort Connector 20P, Receptacle, R/A Short Body=1.80mm, SMT+DIP 2.30mm, H=3.2mm