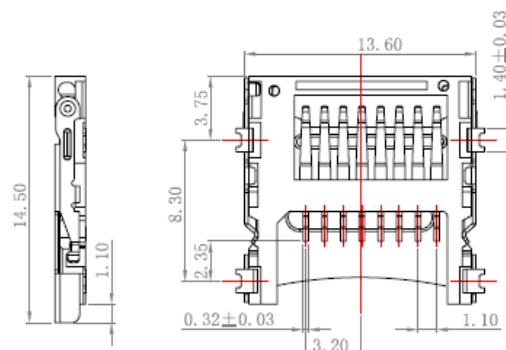
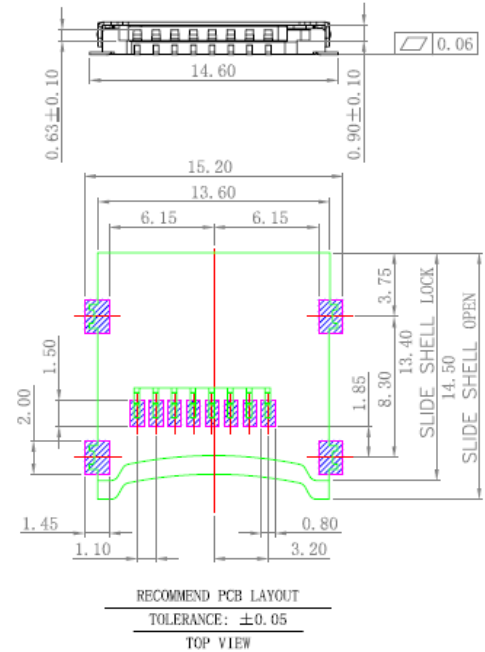


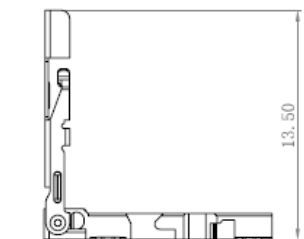
SLIDE SHELL OPEN



SLIDE SHELL LOCK



RECOMMEND PCB LAYOUT
TOLERANCE: ±0.05
TOP VIEW



PART NO.	H=?
HYC40-TF08-150	1.5
HYC39-TF08-180	1.8

PIN5	CLK		
PIN4	VDD		
PIN3	CMD	PIN8	DAT1
PIN2	CD/DAT3	PIN7	DAT0
PIN1	DAT2	PIN6	VSS
PIN NO.		PIN NO.	

MATERIALS

- HOUSING : THERMOPLASTIC LCP S475+30%GF, UL94 V-0.
- TERMINAL : COPPER ALLOY, C5191R-EH, T=0.15mm.
PLATING : 3u"AU PLATED ON CONTACT AREA,
80u"~120u" PLATED ON SOLDER TAILS,
50U"~80U"NICKEL PLATED OVERALL.
- SHELL : SUS304-1/2H , T=0.20mm.
- SOLDER : C5191R-EH , T=0.15mm.
PLATING : 80u"~120u" PLATED ON SOLDER TAILS,
50U"~80U"NICKEL PLATED OVERALL.

SPECIFICATION

- CURRENT RATING : 0.5 A. MAX.
- VOLTAGE RATING: 5V.
- DIELECTRIC WITHSTANDING VOLTAGE :
250V AC R. M. S. FOR 1 MINUTE.
- INSULATION RESISTANCE : 500MΩ MIN. AT 5V DC.
- CONTACT RESISTANCE : 100mΩ MAX.
- OPERATING TEMPERATURE : -20° C TO +85° C.
- DURABILITY: 5000 CYCLES.

Bill of Materials:

No.	TITLE	MATERIAL	FINISH (OR COLOR)	QTY
1	HOUSING	LCP S475+30%GF, UL94 V-0	黑色	1
2	SHELL	SUS 304-1/2H	清洗除油 (不电镀)	1
3	TERMINAL	C5191R-EH	接触点镀金3u", 焊脚镀锡80u"~120u"	1SET
4	SOLDER	C5191R-EH	锡膏 80u"~120u"	1SET

DESCRIPTION OF PLATING ON TERMINALS			
NO.	EXPLAIN	NO.	EXPLAIN
0	GOLD FLASH	3	GOLD 15u"
1	GOLD 5u"	4	GOLD 20u"
2	GOLD 10u"	6	GOLD 30u"

鉞創科技有限公司
TRONTEK TECHNOLOGY CO.,LTD.

TOLERANCE: X.X ±0.30 X.XX ±0.25 X.XXX ±0.15 X' ±2' X.X' ±0.5'	DRAWN BY : 陈一鸣	DATE : 2014-02-23	PART NAME: TF 掀盖	
	CHECKED BY: 马跃	DATE : 2014-02-23	PART NO.	SEE TABLE
	APPROVED BY: 邱国英	DATE : 2014-02-23	MOLD NO.	
UNIT: mm [inch] SCALE: 1:1 SIZE: A4			DRAW NO.: HYC-TF16052815	
			SHEET NO. 1 OF 1	