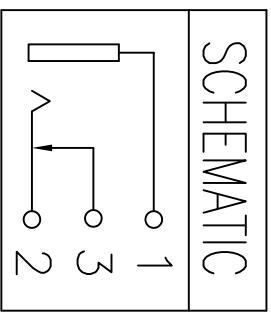
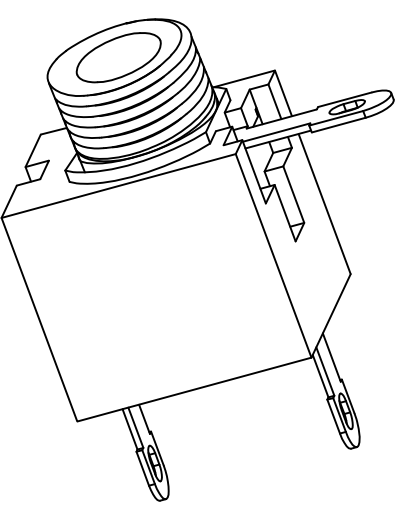
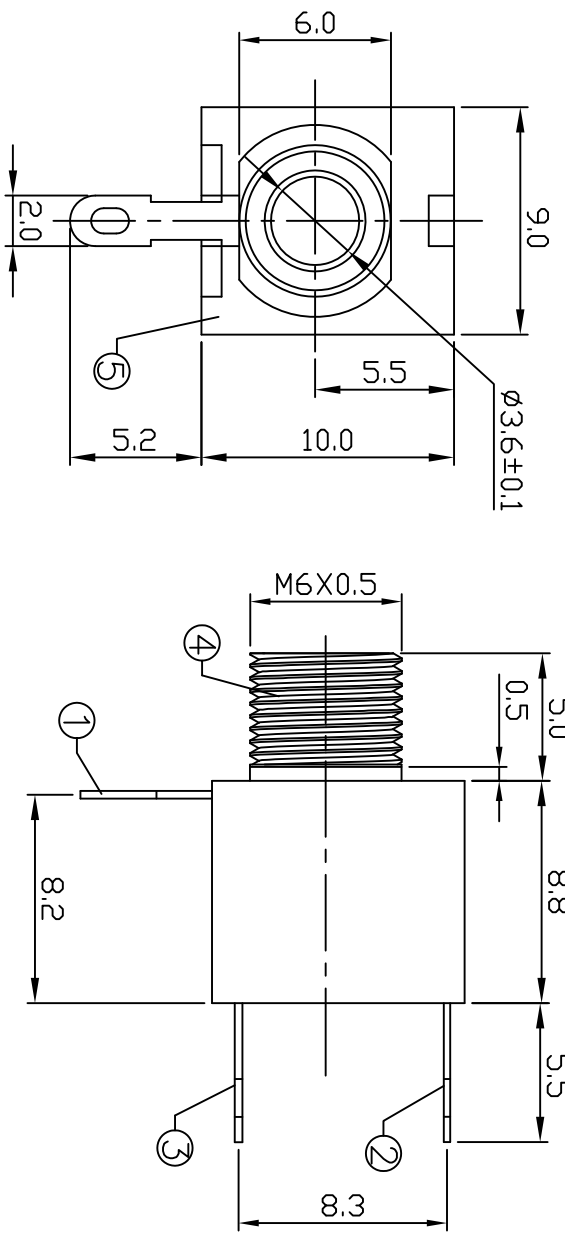
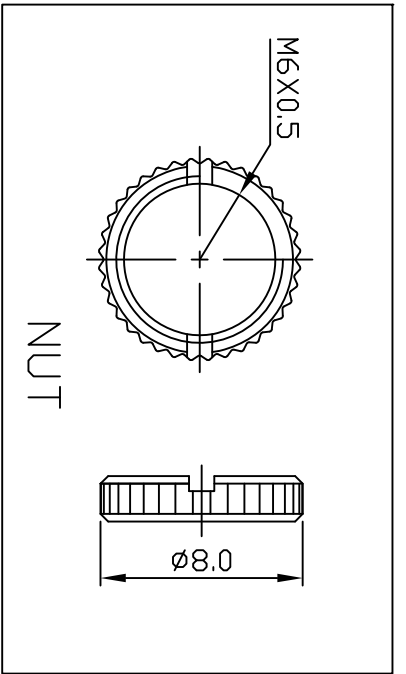


REV.	ECN NO.	LOCATIONS.	DESCRIPTION	DATE	CHANGER



LEAD FREE



6	NUT	1	H59(COPPER ALLOY)	Ni	PLATED
5	HOUSING	1	PBT 4815	UL-94V0(BLACK)	
4	AXIS SUPPORT	1	H59(COPPER ALLOY)	Ni	PLATED
3	CURVE PIECE	1	C2680	Ag	PLATED
2	SPRING PIECE	1	C5191	Ag	PLATED
1	FLAT PIECE	1	C2680	Ag	PLATED
LTR	PART NAME	QTY	MATERIAL	REMARK	

UNLESS OTHERWISE SPECIFIED, TOLERANCE ON DECIMAL: ±0.3

GENERAL TOLERANCE		TITLE:	
X±	X*± 1°	鉅創科技有限公司 FRONTEK TECHNOLOGY CO., LTD.	
.X± 0.30	.X*±	MINIATURE JACK	
.XX± 0.20	.XX*±	PART NO. TP1-035-01M	
.XXX± 0.10	.XXX*±	CUSTOMER DRAWING	
APPROVED	CHECKED:	DRAWN:	SCALE: 1:1
Kevin	Paul	frank	1:1
		mm	SHEET: 1 / 1
			FILE: B
			20130419