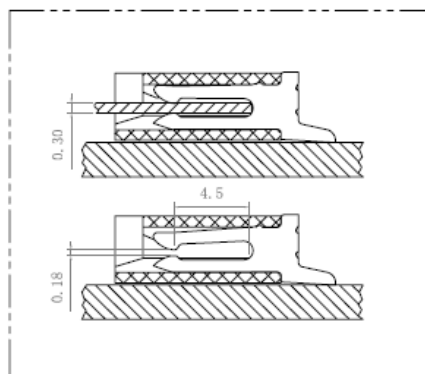


P. C. B LAYOUT



材料
壳体: LCP UL94V-0 本色
接触针: 磷青铜 (镀锡)
焊片: 磷青铜 (镀锡)

主要技术性

间距: 1.0mm
温度范
围: -25~+85℃
额定电压: 50V
AC, DC
额定电流: 0.5A
AC, DC
接触电阻: 0.04 Ω
绝缘电阻: 800MΩ
耐压: 200V
AC/minute

NO. OF CONTACTS (n)	DIMENSIONS		
	A	B	C
4	3	5.1	8.3
5	4	6.1	9.3
6	5	7.1	10.3
7	6	8.1	11.3
8	7	9.1	12.3
9	8	10.1	13.3
10	9	11.1	14.3
11	10	12.1	15.3
12	11	13.1	16.3
13	12	14.1	17.3
14	13	15.1	18.3
15	14	16.1	19.3
16	15	17.1	20.3
17	16	18.1	21.3
18	17	19.1	22.3
19	18	20.1	23.3
20	19	21.1	24.3
21	20	22.1	25.3
22	21	23.1	26.3
23	22	24.1	27.3
24	23	25.1	28.3
25	24	26.1	29.3
26	25	27.1	30.3
27	26	28.1	31.3
28	27	29.1	32.3
29	28	30.1	33.3
30	29	31.1	34.3
31	30	32.1	35.3
32	31	33.1	36.3

鉈創科技有限公司

TRONTEK TECHNOLOGY CO., LTD.

TOLERANCE: X.X ±0.30 X.XX ±0.25 X.XXX ±0.15 X.' ±2' X.X' ±0.5'	DRAWN BY :	DATE :	PART NAME:
			1.0PH贴片无盖双面接带焊片FPC
UNIT: mm [inch] SCALE: 1:1 SIZE: A4	CHECKED BY :	DATE :	PART NO. TFPF1-10FPCXX-200
			MOLD NO.
	APPROVED BY :	DATE :	DRAW NO.
		2014-02-23	SHEET NO. 1 OF 1