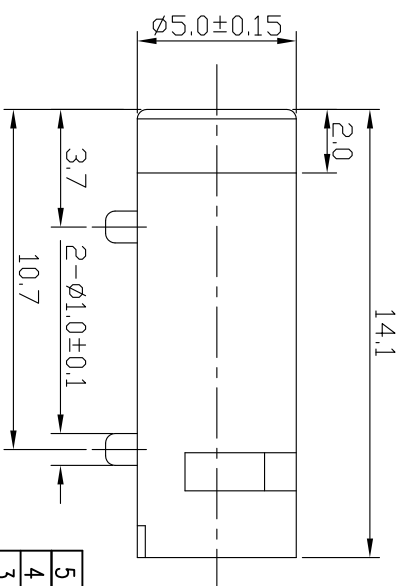
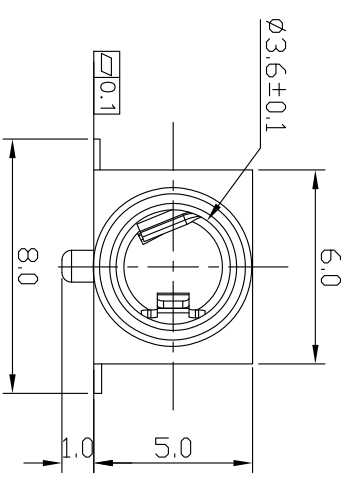
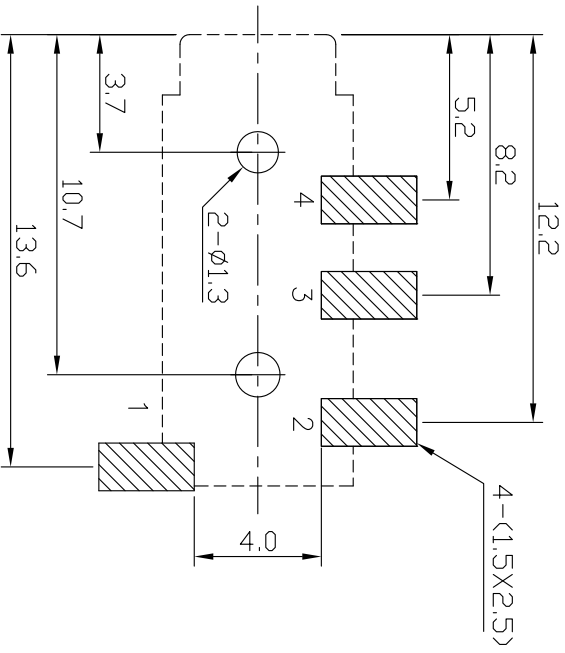
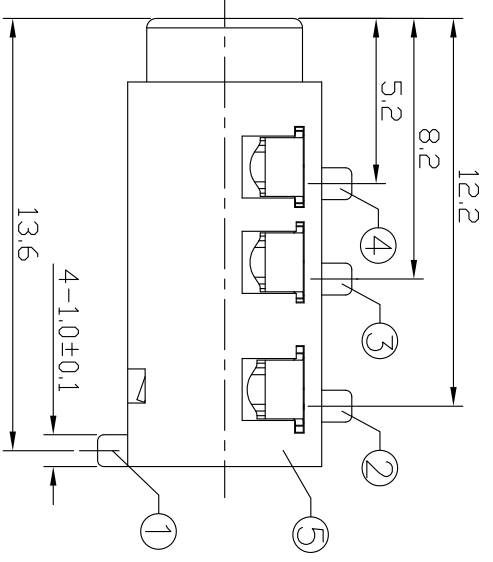
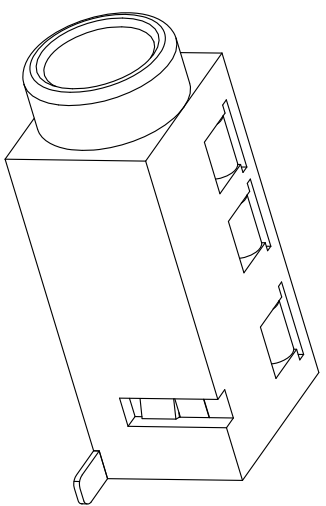


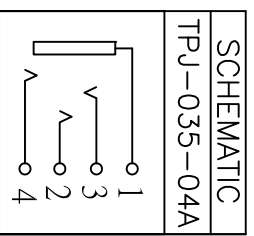
REV.	ECH. NO.	LOCATIONS.	DESCRIPTION	DATE	CHANGER



T:1.6 Dimensions of PC board holes
Tolerance : ±0.05(Printed-top view)

LEAD FREE

LTR	PART NAME	QTY	MATERIAL	REMARK
5	HOUSING	1	PA9T	UL-94V0(BLACK)
4	4# CONTACT FOOT	1	C5191	t=0.25 Ag PLATED
3	3# CONTACT FOOT	1	C5191	t=0.25 Ag PLATED
2	2# CONTACT FOOT	1	C5191	t=0.25 Ag PLATED
1	1# CONTACT FOOT	1	C5191	t=0.25 Ag PLATED



UNLESS OTHERWISE SPECIFIED, TOLERANCE ON DECIMAL: ±0.2

GENERAL TOLERANCE		TITLE:	
X± 0.40	X*± 1°	鉅創科技有限公司	
X± 0.30	X*±	TRONTEK TECHNOLOGY CO., LTD.	
.XX± 0.20	.XX*±	MINIATURE JACK	
.XXX± 0.10	.XXX*±	PART NO. TPJ-035-04A	
CUSTOMER DRAWING		DWG NO. 20130418	
APPROVED	CHECKED:	DRAWN:	SCALE: 1:1
Paul	Paul	sunny	1:1
UNIT: mm		SHEET: 1 / 1	
		REV: B	