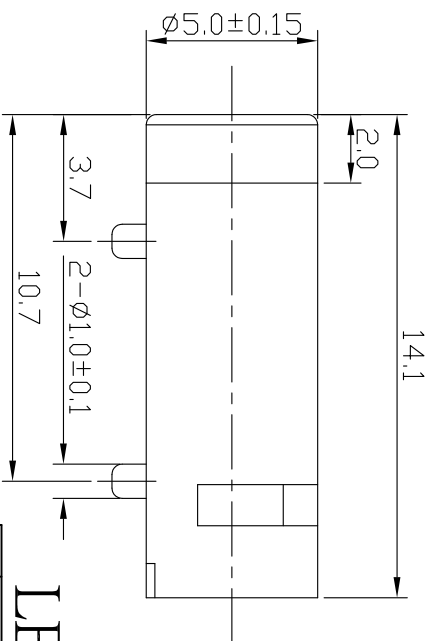
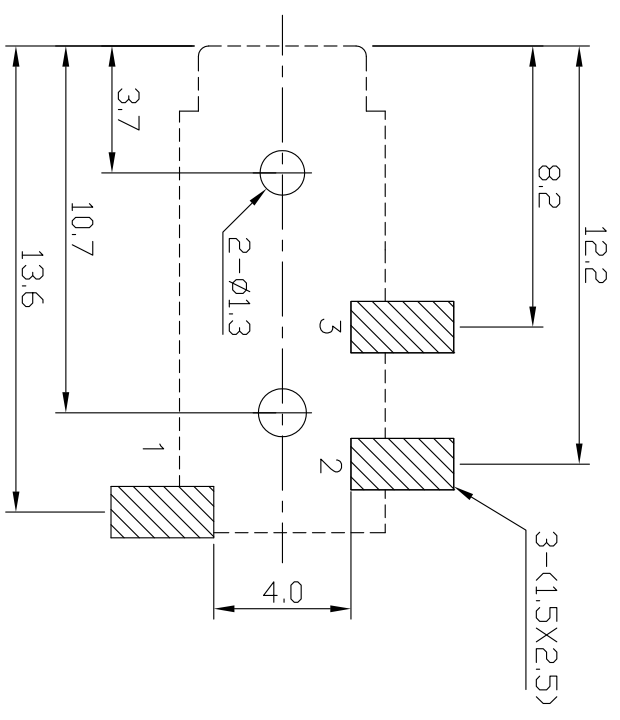
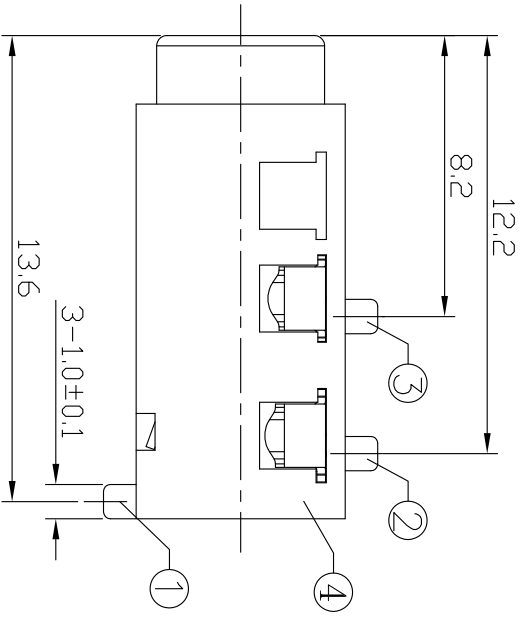
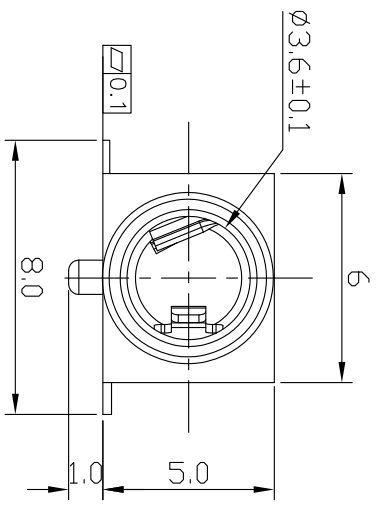
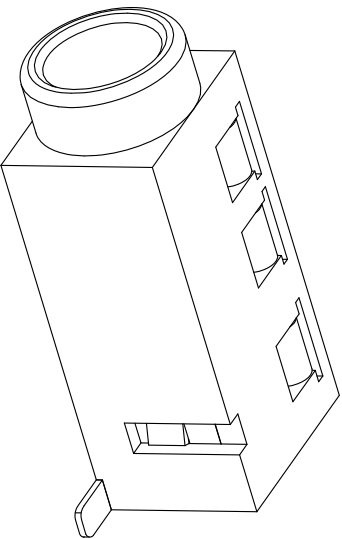
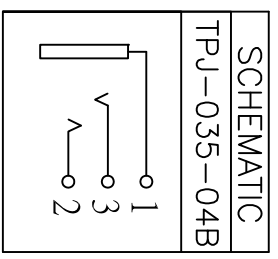
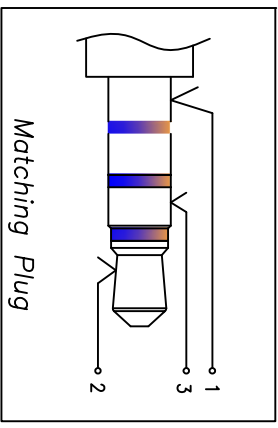


* REVISIONS				
LTR	DESCRIPTION	DATE	REVISED	APPROVED



T:1.6 Dimensions of PC board holes  
Tolerance :  $\pm 0.05$ (Printed-top view)

## LEAD FREE



4	HOUSING	1	PA9T	UL-94V0(BLACK)
3	3# CONTACT FOOT	1	C5191	t=0.25 Ag PLATED
2	2# CONTACT FOOT	1	C5191	t=0.25 Ag PLATED
1	1# CONTACT FOOT	1	C5191	t=0.25 Ag PLATED
LTR	PART NAME	QTY	MATERIAL	REMARK
DWN	LILY	DATE	2013.04.29	3RD ANGLE PROJECTION
CHKD	ANDY	DATE	2013.04.29	CAT. NO.
APVD	JON	DATE	2013.04.29	UNIT: mm
NAME				MINIATURE JACK
CAT. NO.				TPJ-035-04B
DWN.NO.				A-035-04
				001

UNLESS OTHERWISE SPECIFIED, TOLERANCE ON DECIMAL:  $\pm 0.2$

鉅創科技有限公司  
TRONTEK TECHNOLOGY CO., LTD.