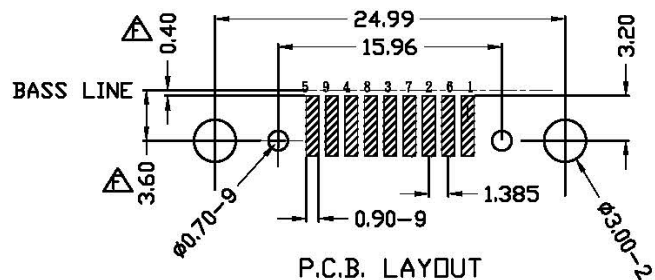
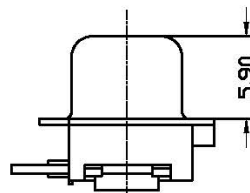
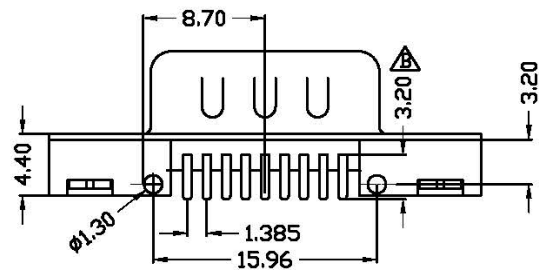
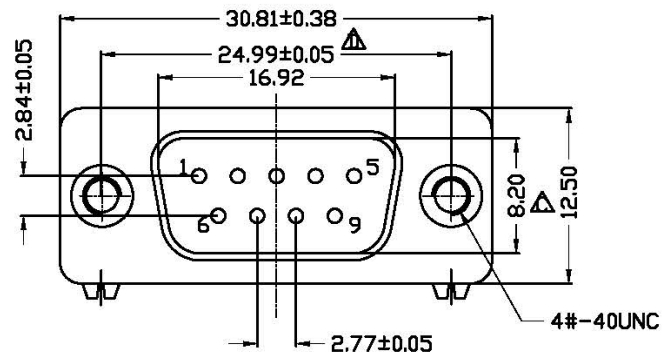


REV.	NOTES	DATE
A	RELEASED	2006/01/19
B	尺寸3.00變更爲3.20	2006/03/31
C	修改尺寸:8.36-->8.20	2006/06/02
D	修改尺寸:24.99-->24.99±0.05	2006/07/06
E	AMEND NOTES	2006/12/13
F	修改尺寸:0.5-->0.4 3.7-->3.6	2007/11/26



NOTES:

1.MATERIAL

- 1.1 HOUSING:THERMOPLATIC (UL94V-0)
- 1.2 TERMINAL: COPPER ALLOY
- 1.3 Shell:SPCC(t=0.40mm)

2.SPECIFICATION

- 2.1 Current Rate:5.0 Amps MAX
- 2.2 Contact Resistance:30m Ohms Max
- 2.3 Insulator Resistance:1000MΩ Min. at 500V DC
- 2.4 Dielectric Withstrength Voltage: 500V AC R.M.S FOR ONE MINUTE
- 2.5 Operation Temperature:-55°C to +105°C
- 2.6 MAXPROCESSING TEMP:230°C FOR30 ECNDS

單位(UNITS)	mm
數量(QTY)	N/A
材料(MTL)	SEE NOTE
處理(FINISH)	SEE NOTE

鉅創科技有限公司 TRONTEK TECHNOLOGY CO.,LTD.	
圖名(NAME) D-SUB 9公2.0超薄型貼板式無毒高拓專用	
料號(PART NUMBER)	A02+0911-2021T
圖號(DRAW NUMBER)	RA0209112021T
圖檔(FILE NAME , DWG)	E:\GCT\A\02\091\5
比例(SCALE)	1/1
圖紙(SIZE)	A4
頁次(SHEET)	1
版次(REV.)	E

DIMENSIONS TOLERANCE	
METRIC	
.0= ±.30	
.00= ±.20	
.000= ±.XXX	
.0000= ±.	
ANG.= ± 2°	