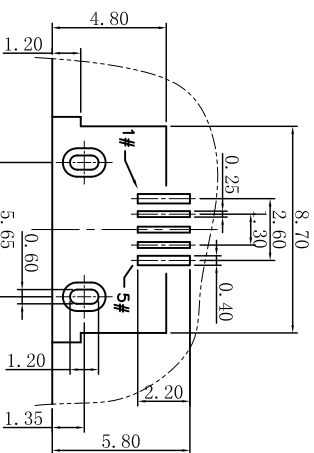
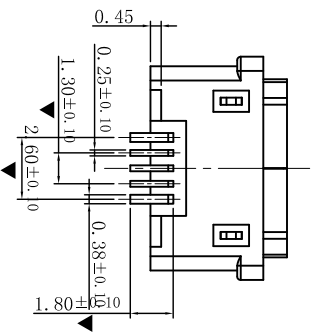
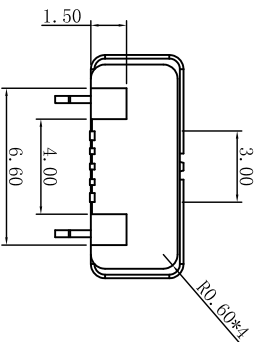
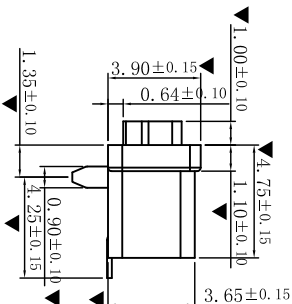
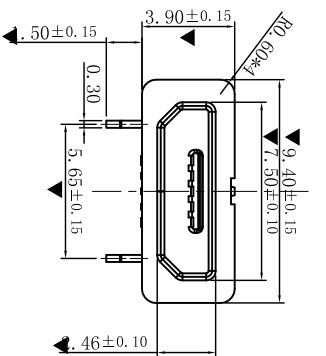
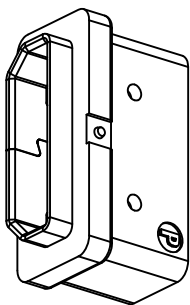
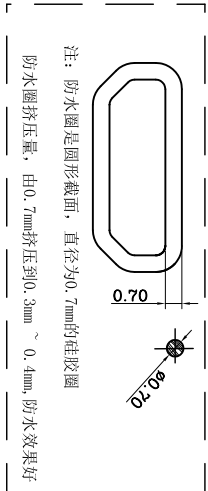


注：设计时，请注意公头插入时的距离，防止公头插不到底。



P.C.B LAYOUT



Contact Number	Signal Name	Remarks
1#	VBUS	Power
2#	D-	Date-
3#	D+	Date+
4#	ID	Reserve or Ground
5#	GND	Ground

Notes:

1. Dimension shall be interpreted per ASME Y14.5M1994.
2. Dimension marked ◻ & ◀ should be checked by Q.C. and process, engineers and ◻ should also check the CPK data.

Specification:

1. Current Rating: 2.0 AMP
2. Voltage Rating: 30V AC,DC
3. Dielectric Strength: 500V AC RMS for 1 minute.
4. Contact Resistance: 30 mΩ Max.
5. Insulator Resistance: 500M Ω Min. AT 250V DC.
6. Mating/Umating cycles: 2000cycles
7. Temperature: -20°C to +60°C

ITEM	PART NAME	Q'TY	FINISH	NOTE
3	Shell	1	SUS304R-1/2H Ni Plating①=0.30mm	
2	Contact	5	Phosphor bronze C319R-0H Au/Ni Plating ①=0.20mm	
1	Housing	1	PA96R0CP (G-1300)	

鉅創科技有限公司  
TYRONTEK TECHNOLOGY CO., LTD.

TOLERANCE:		DRAWN BY :		DATE :		PART NAME:	
X.X	±0.30	TONY		2017-6-8		MICO USB SP 帶防水膠圈板 SMT短頭	
X.XX	±0.25						
X.XXX	±0.15						
X' ±Z'	X'X' ±0.5'						
UNIT: mm [Inch]							
SCALE: 1:1	SIZE: A4						
		CHECKED BY:	FRANK	DATE:	2017-6-8	PART NO.:	TMC129-USB005-100
		APPROVED BY:	KEVIN	DATE:	2017-6-8	MOLD NO.:	
						DRAW NO.:	
						SHEET NO.:	10F1