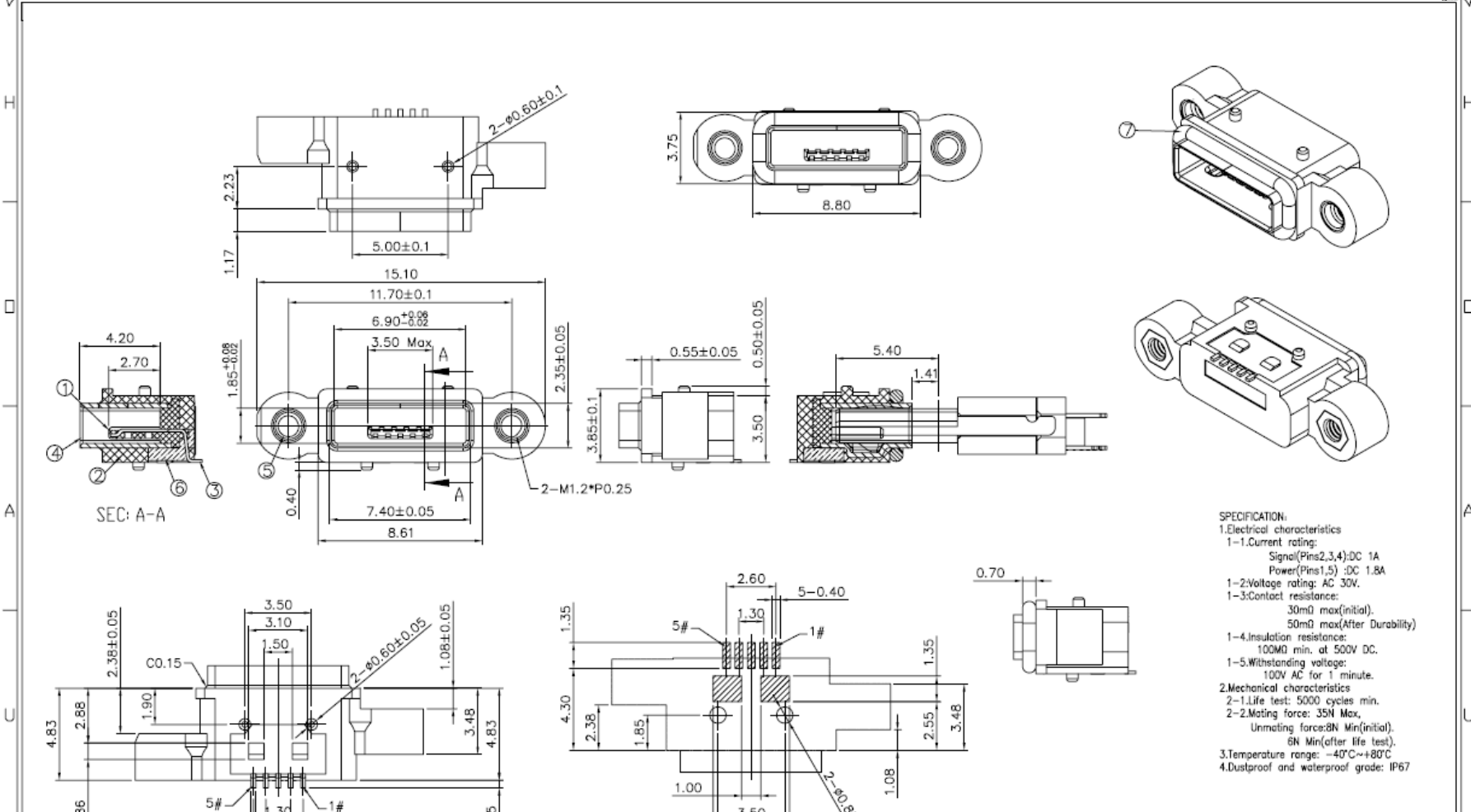


1 2 3 4 5 6 7 8



SPECIFICATION:
 1.Electrical characteristics
 1-1.Current rating:
 Signal(Pins2,3,4):DC 1A
 Power(Pins1,5) :DC 1.8A
 1-2.Voltage rating: AC 30V.
 1-3.Contact resistance:
 30mΩ max(initial).
 50mΩ max(After Durability)
 1-4.Insulation resistance:
 100MΩ min. at 500V DC.
 1-5.Withstanding voltage:
 100V AC for 1 minute.
 2.Mechanical characteristics
 2-1.Life test: 5000 cycles min.
 2-2.Mating force: 35N Max,
 Unmating force:8N Min(initial).
 6N Min(after life test).
 3.Temperature range: -40°C~+80°C
 4.Dustproof and waterproof grade: IP67

⑦	Oval ring	1	Rubber	White
⑧	Glue	1	-----	Black
⑨	Screw	2	Brass	Nickel plated
⑩	Inner shell	1	Copper alloy or stainless steel	Nickel plated
⑪	Terminal	5	Copper alloy, 0.15t	Gold Plated On Contact Area.
⑫	Outer shell	1	High temperature thermoplastic	Black
⑬	Body	1	High temperature thermoplastic	Black
NO.	DESCRIPTION	QTY	MATERIAL	REMARK

Contact Number	Signal Name	Remarks
1#	VBUS	Power
2#	D-	Date-
3#	D+	Date+
4#	ID	Reserve or Ground
5#	GND	Ground

Recommended P.C.B. Layout
 Unspecified Tolerance: ±0.05
 (Top view)

鉅創科技有限公司
TRONTEK TECHNOLOGY CO., LTD.

TOLERANCE: X.X ±0.30 X.XX ±0.25 X.XXX ±0.15 X' ±2' X.X' ±0.5' UNIT: mm [inch] SCALE: 1:1 SIZE: A4	DRAWN BY :	DATE :	PART NAME:
	陈一鸣	2014-02-23	MICRO USB ABC型带防水胶圈SMT正压带双螺丝
CHECKED BY: 马跃 APPROVED BY: 邱国英	DATE :	PART NO.	MOLD NO.
	2014-02-23	TMC131-USBD05-117	
	DATE :	DRAW NO.	SHEET NO.
	2014-02-23		1 OF 1

8 7 6 5 4 3 2 1