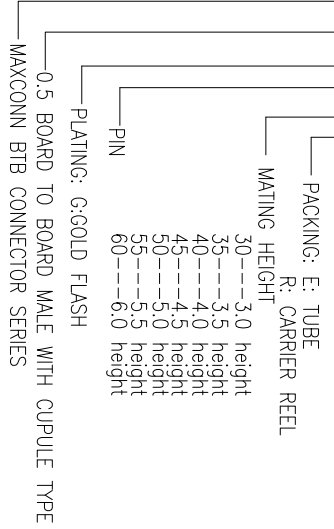


- NOTES:
- HUOSING:PA46 HIGH-TEMP THERMOPLASTIC UL94V-0 COLOR:WHITE
  - TERMINAL:PHOSPHOR BRONZE C5191
  - PLATING:1\*“GOLD FLASHOVERALL 50~100\*“NICKEL UNDER PLATED.
  - CODING INFORMATION: BB151-Gxx-XDR



MATING HEIGHT	3.0	3.5	4.0	4.5	5.0	5.5	6.0	6.5
MALE H1	0.85	1.35	1.85	0.95	1.45	1.95	2.45	2.95
FEMALE H2	2.05				3.45			
MALE H2	2.20	2.70	3.20	2.85	3.35	3.85	4.35	4.85

No. of contacts	Dimensions				No. of contacts	Dimensions			
	A	B	C	D		A	B	C	D
2*4	4.7	1.5	2.4	3.4	2*17	11.2	8.0	8.9	9.9
2*5	5.2	2.0	2.9	3.9	2*18	11.7	8.5	9.4	10.4
2*6	5.7	2.5	3.4	4.4	2*19	12.2	9.0	9.9	10.9
2*7	6.2	3.0	3.9	4.9	2*20	12.7	9.5	10.4	11.4
2*8	6.7	3.5	4.4	5.4	2*21	13.2	10.0	10.9	11.9
2*9	7.2	4.0	4.9	5.9	2*22	13.7	10.5	11.4	12.4
2*10	7.7	4.5	5.4	6.4	2*23	14.2	11.0	11.9	12.9
2*11	8.2	5.0	5.9	6.9	2*24	14.7	11.5	12.4	13.4
2*12	8.7	5.5	6.4	7.4	2*25	15.2	12.0	12.9	13.9
2*13	9.2	6.0	6.9	7.9	2*26	15.7	12.5	13.4	14.4
2*14	9.7	6.5	7.4	8.4	2*27	16.2	13.0	13.9	14.9
2*15	10.2	7.0	7.9	8.9	2*28	16.7	13.5	14.4	15.4
2*16	10.7	7.5	8.4	9.4	2*29	17.2	14.0	14.9	15.9
2*17	11.2	8.0	8.9	9.9	2*30	17.7	14.5	15.4	16.4

RECOMMENDED PCB PATTERN DIM.  
TOLERANCE : ±0.05

REV.	SIZE:	UNIT:	SCALE:
B	A4	mm	5:1
OTHERWISE SPECIFIED			
X.X ±0.25			
XXX ±0.15			
XXXX			
SHEET NO: 1 OF 1			
ANG. 0°30'			
DRAWN BY: Koyota 2012-12-02			
CHECKED BY:			
APPROVED BY:			

CUSTOMER: 鉦創科技有限公司  
TRONTEK TECHNOLOGY CO., LTD.

GENERAL TOLERANCE: UNLESS OTHERWISE SPECIFIED

PART NO: BB151-Gxx-XDR

TITLE: 0.5 BOARD TO BOARD SMT V/T TYPE MALE

SR	REVISONS	CHK	DATE
△	公母座插口公差調整	Koyin	02.18.14